

0.75"
(1.91 cm)

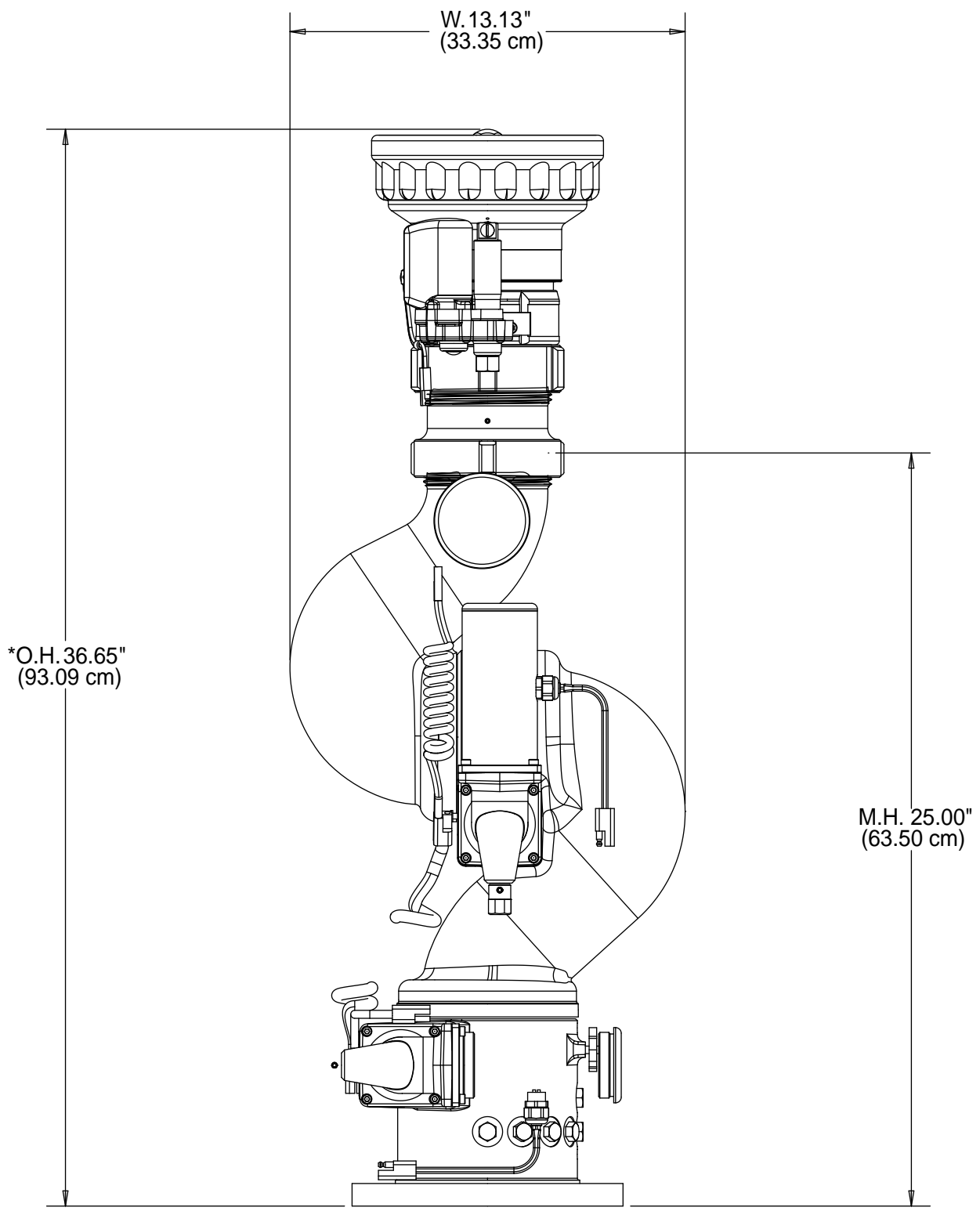


ELKHART BRASS MFG. CO., INC.
ELKHART, INDIANA


THIS DRAWING CONTAINS INFORMATION THAT IS
PROPRIETARY TO ELKHART BRASS MFG. CO., INC.
AND MAY NOT BE USED TO PRODUCE ANY PARTS,
ASSEMBLIES OR PRODUCTS DESCRIBED HEREIN
WITHOUT EXPRESS WRITTEN PERMISSION.

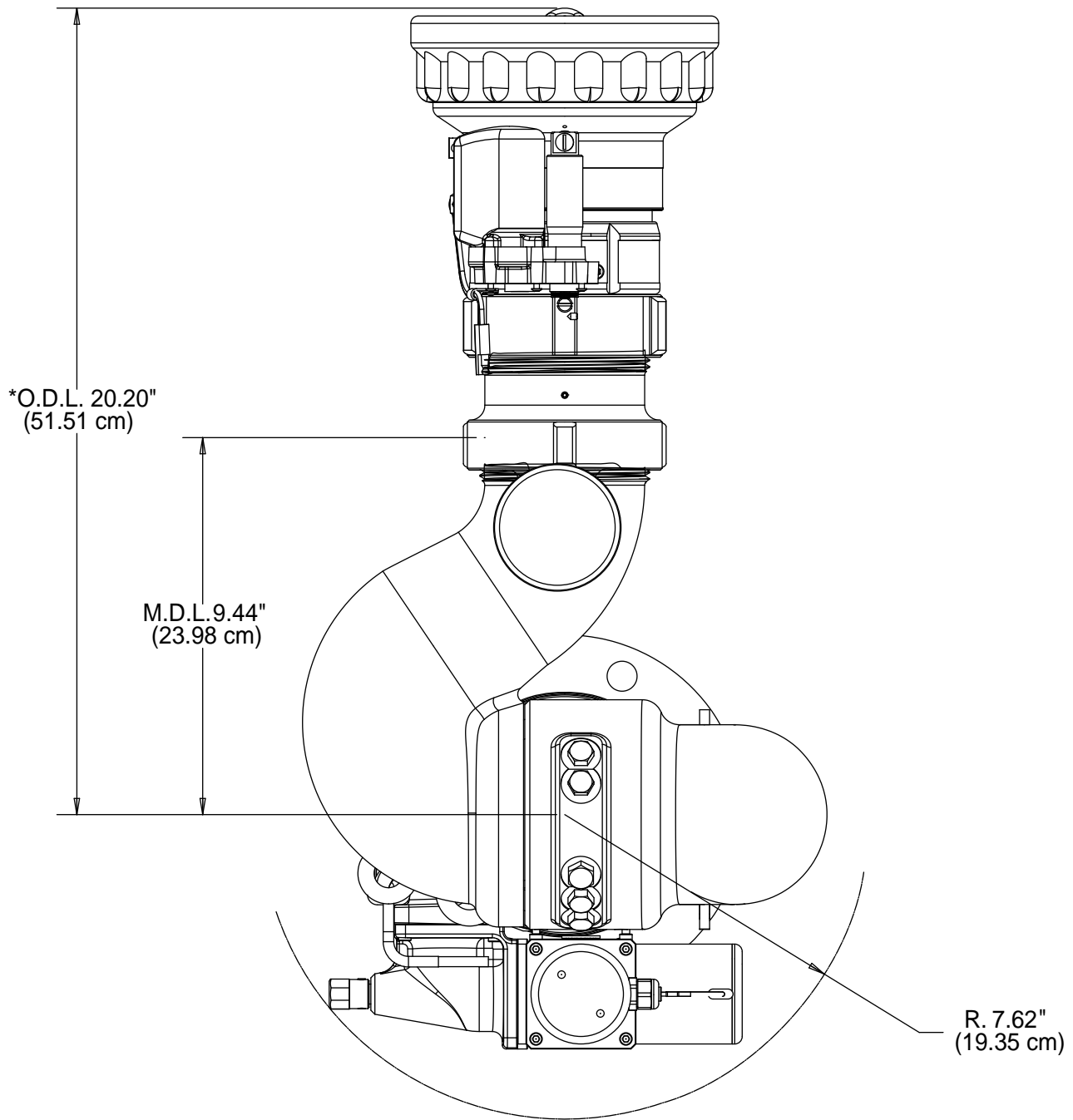
SCORPION ELECTRIC
PAGE 1 OF 5
12/2007

BASE
DIMENSIONAL




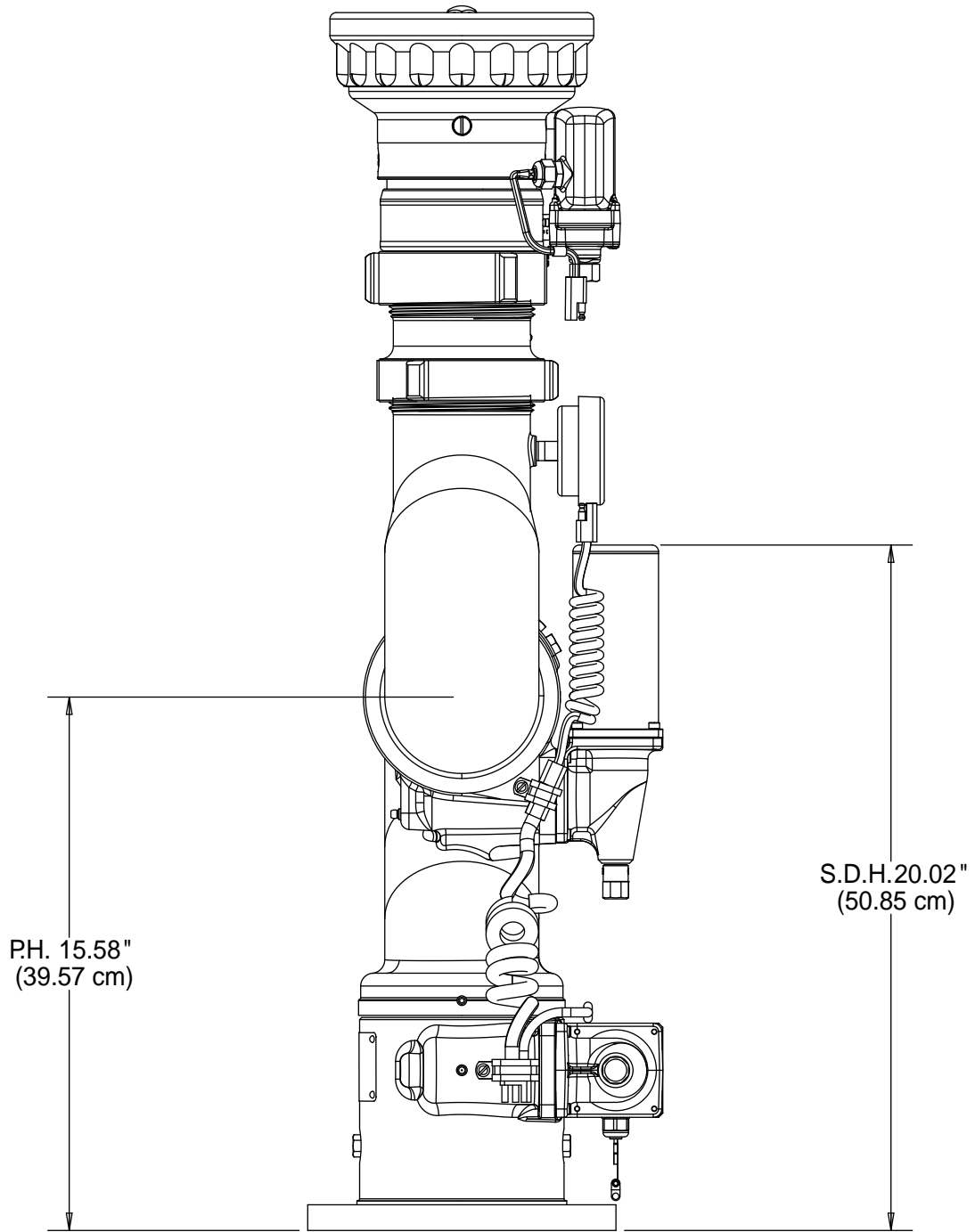
*TYPICAL - SEE INDIVIDUAL NOZZLE DRAWINGS

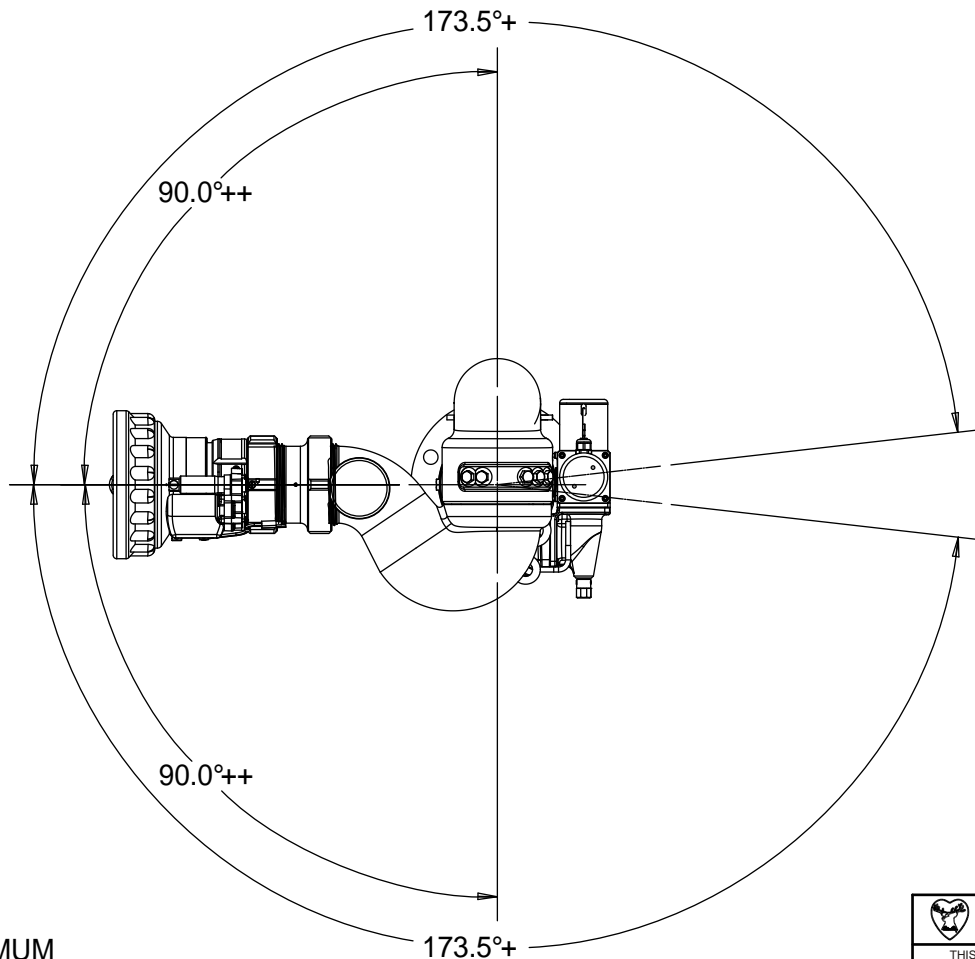
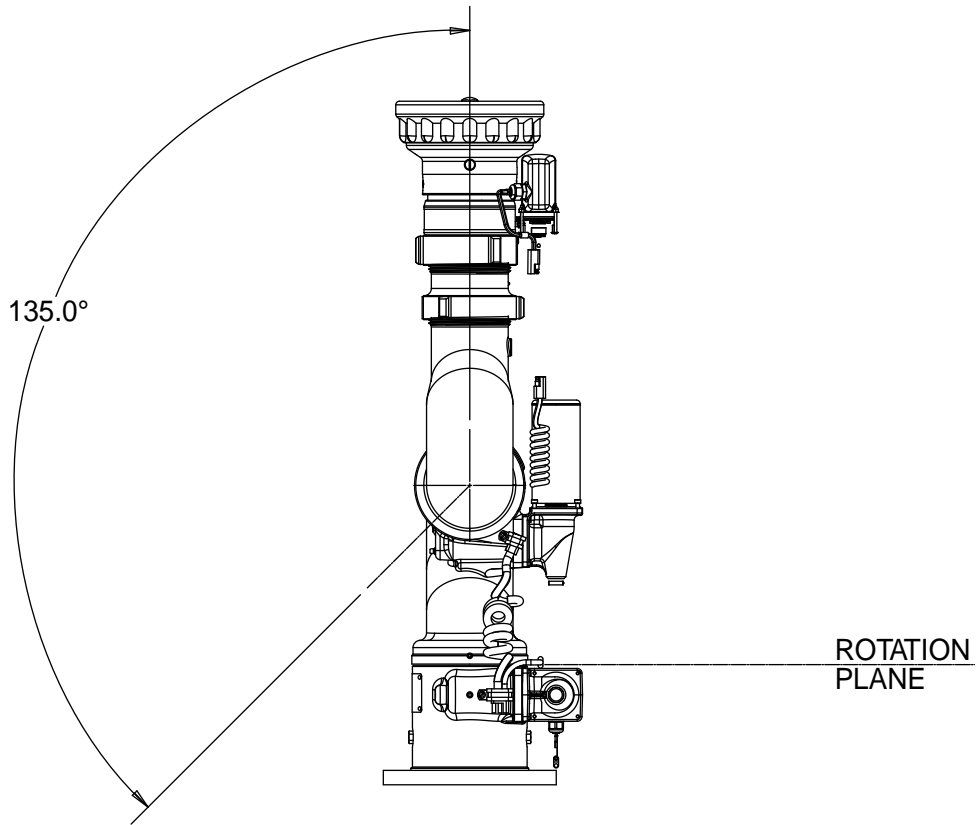
	ELKHART BRASS MFG. CO., INC. ELKHART, INDIANA	
	<small>THIS DRAWING CONTAINS INFORMATION THAT IS PROPRIETARY TO ELKHART BRASS MFG. CO., INC. AND MAY NOT BE USED TO PRODUCE ANY PARTS, ASSEMBLIES OR PRODUCTS DESCRIBED HEREIN WITHOUT EXPRESS WRITTEN PERMISSION.</small>	
SCORPION ELECTRIC PAGE 2 OF 5 12/2007	BACK VIEW DIMENSIONAL	




*TYPICAL - SEE INDIVIDUAL NOZZLE DRAWINGS

	<p>ELKHART BRASS MFG. CO., INC. ELKHART, INDIANA</p>
<p>THIS DRAWING CONTAINS INFORMATION THAT IS PROPRIETARY TO ELKHART BRASS MFG. CO., INC. AND MAY NOT BE USED TO PRODUCE ANY PARTS, ASSEMBLIES OR PRODUCTS DESCRIBED HEREIN WITHOUT EXPRESS WRITTEN PERMISSION.</p>	
<p>SCORPION ELECTRIC PAGE 3 OF 5 12/2007</p>	<p>TOP VIEW DIMENSIONAL</p>





+ MAXIMUM
 ++FACTORY SETTING

	ELKHART BRASS MFG. CO., INC. ELKHART, INDIANA	
	THIS DRAWING CONTAINS INFORMATION THAT IS PROPRIETARY TO ELKHART BRASS MFG. CO., INC. AND MAY NOT BE USED TO PRODUCE ANY PARTS, ASSEMBLIES OR PRODUCTS DESCRIBED HEREIN WITHOUT EXPRESS WRITTEN PERMISSION.	
SCORPION ELECTRIC PAGE 5 OF 5 12/2007	RANGE OF MOTION	

DIMENSIONAL ABBREVIATION KEY*

ABBREVIATION	DESCRIPTION
D.L.	Discharge Length
H.H.	Handle Height
H.S.R.	Handle Swing Radius
M.D.L.	Monitor Discharge Length
M.H.	Monitor Height
O.D.L.	Overall Discharge Length
O.H.	Overall Height
O.L.	Overall Length
P.H.	Pivot Height
P.R.	Pivot Radius
R.	Radius
S.D.H.	Stow Down Height
W.	Width

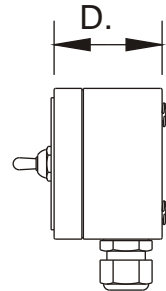
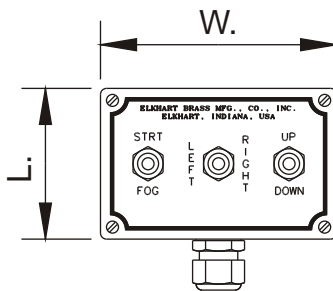
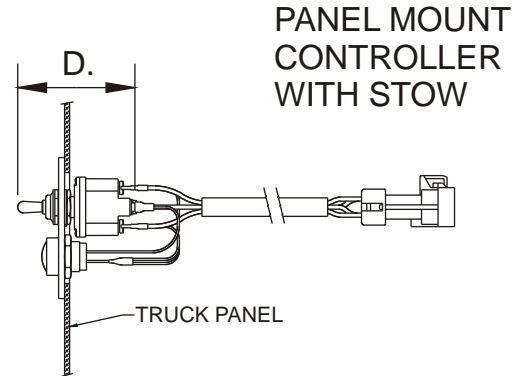
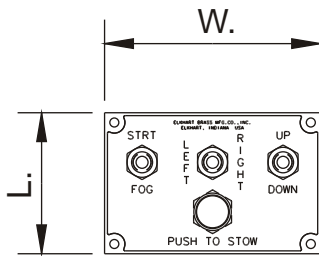
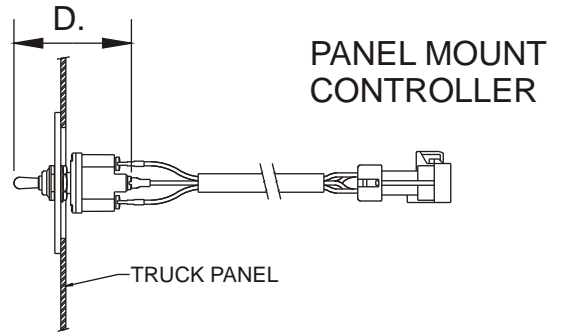
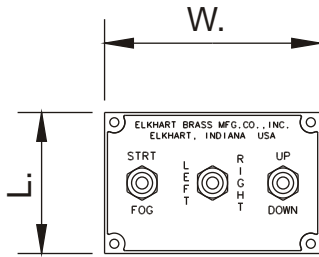
*Not all abbreviations will be used on every drawing



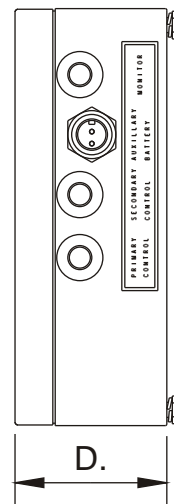
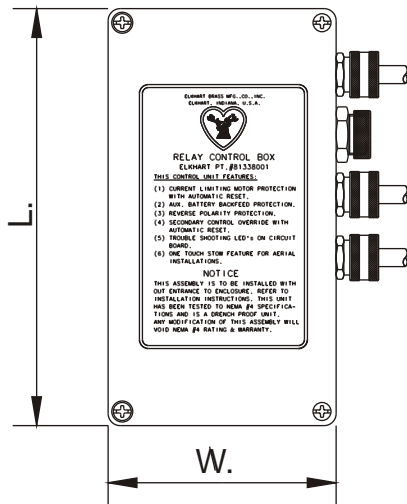
ELKHART BRASS MFG. CO., INC.
ELKHART, INDIANA

THIS DRAWING CONTAINS INFORMATION THAT IS
PROPRIETARY TO ELKHART BRASS MFG. CO., INC.
AND MAY NOT BE USED TO PRODUCE ANY PARTS,
ASSEMBLIES OR PRODUCTS DESCRIBED HEREIN
WITHOUT EXPRESS WRITTEN PERMISSION.


DIMENSIONAL
KEY
2/2008



AERIAL SWITCH BOX



RELAY CONTROL BOX

 ELKHART BRASS MFG. CO., INC. ELKHART, INDIANA	
THIS DRAWING CONTAINS INFORMATION THAT IS PROPRIETARY TO ELKHART BRASS MFG. CO., INC. AND MAY NOT BE USED TO PRODUCE ANY PARTS, ASSEMBLIES OR PRODUCTS DESCRIBED HEREIN WITHOUT EXPRESS WRITTEN PERMISSION.	
SCORPION ELECTRIC CONTROLS PAGE 1 OF 2 06/2008	DIMENSIONAL DRAWING

SCORPION ELECTRIC CONTROLS DIMENSIONAL TABLE			
(In Inches)			
MODEL	LENGTH	DEPTH	WIDTH
PANEL MOUNT	2.938	2.447	4.500
PANEL MOUNT STOW	2.938	2.447	4.500
AERIAL SWITCH BOX	3.140	2.250	4.920
RELAY CONTROL BOX	8.688	4.750	3.162