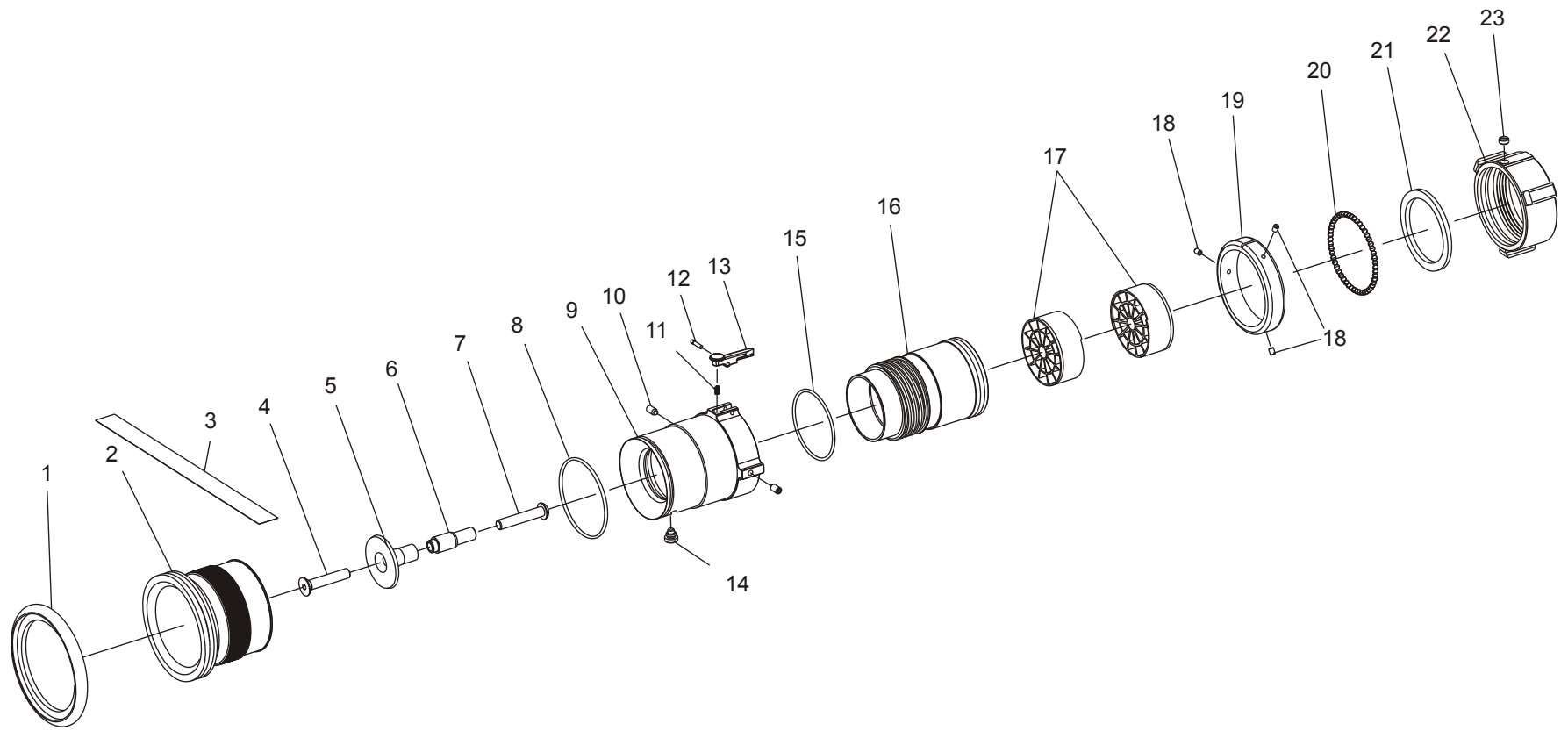



R.A.N
(3895, 3896)



 ELKHART BRASS MFG. CO., INC. ELKHART, INDIANA	
THIS DRAWING CONTAINS INFORMATION THAT IS PROPRIETARY TO ELKHART BRASS MFG. CO., INC. AND MAY NOT BE USED TO PRODUCE ANY PARTS, ASSEMBLIES OR PRODUCTS DESCRIBED HEREIN WITHOUT EXPRESS WRITTEN PERMISSION.	
RAN PAGE 1 OF 4 05/2008	PART DRAWING

R.A.N
(3895, 3896)

INDEX #	MODEL	PART #	QTY	DESCRIPTION
1	ALL	16574000	1	Bumper - Black
2	3895	66421001	1	Nozzle Tip
2	3896	66401001	1	Nozzle Tip
3	3895	44567000	1	Label - Identification
3	3896	44469000	1	Label - Identification
4	ALL	61120000	1	Flat Head Screw S/S
5	ALL	69043001	1	Stem Head
6	ALL	62214001	1	Stem Shaft
7	ALL	61126000	1	Button Cap Screw
8	ALL	57490000	1	O-Ring
9	3895	18112001	1	Barrel - Center
10	3895	64004000	2	Socket Set Screw S/S
11	3895	61762000	1	Coil Spring
12	3895	51063000	1	Pin - Drive Lock
13	3895	44064105	1	Locking Lever
14	ALL	61087001	1	Drive Screw
15	3895	57339000	1	O-Ring
15	3896	57414000	1	O-Ring
16	3895	17186001	1	Body - Nozzle
16	3896	17170001	1	Body - Nozzle
17	ALL	63431001	2	Stream Shaper
18	3895	63678000	3	Socket Set Screw S/S
19	3895	59177001	1	Ring - Gallonage
20	ALL	15018000	52	.187 Ball S/S
21	ALL	33083000	1	Gasket - Rubber
22	ALL	63069007	1	Swivel (2.5") Alum
23	ALL	65202000	1	Set Screw S/S

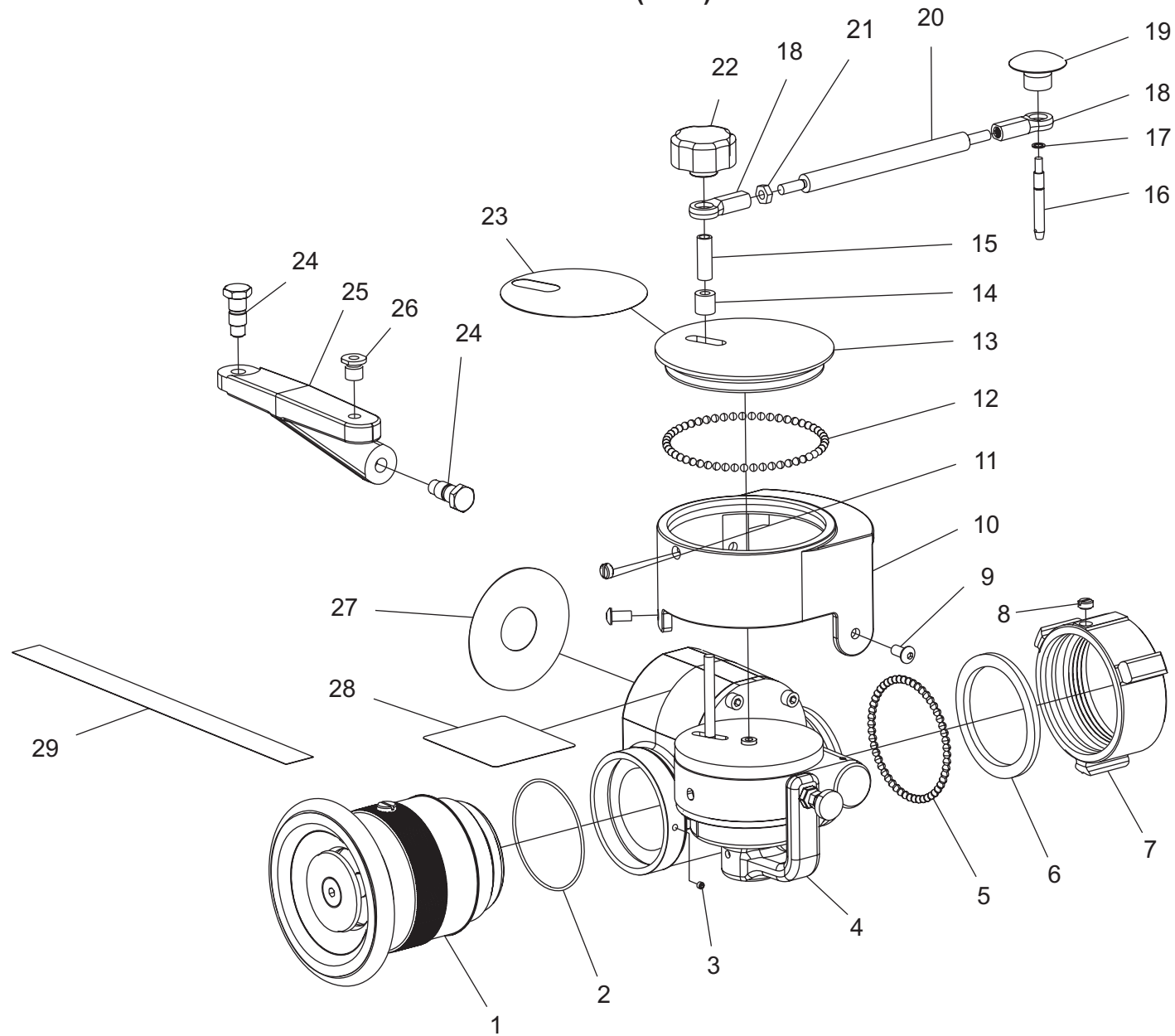
 ELKHART BRASS MFG. CO., INC.
ELKHART, INDIANA

THIS DRAWING CONTAINS INFORMATION THAT IS
PROPRIETARY TO ELKHART BRASS MFG. CO., INC.
AND MAY NOT BE USED TO PRODUCE ANY PARTS,
ASSEMBLIES OR PRODUCTS DESCRIBED HEREIN
WITHOUT EXPRESS WRITTEN PERMISSION.

RAN
PAGE 2 OF 4
05/2008

PART
DRAWING

R.A.N.
(3890)



ELKHART BRASS MFG. CO., INC.
ELKHART, INDIANA

THIS DRAWING CONTAINS INFORMATION THAT IS PROPRIETARY TO ELKHART BRASS MFG. CO., INC. AND MAY NOT BE USED TO PRODUCE ANY PARTS, ASSEMBLIES OR PRODUCTS DESCRIBED HEREIN WITHOUT EXPRESS WRITTEN PERMISSION.


RAN
PAGE 3 OF 4
05/2009

PART
DRAWING

**R.A.N.
3890**

INDEX #	PART #	QTY	DESCRIPTION
1	81585001	1	Nozzle Sub-Ass'y
2	57547000	1	O-Ring
3	65208000	1	Set Screw
4	81588001	1	Oscillator Sub-Ass'y
5	15018000	52	Ball -.187 Dia S/S
6	33083000	1	Gasket - Rubber (2.5" NHT)
7	63069007	1	Swivel (2.5" NHT)
8	63674000	1	Set Screw Nylon
9	64129000	2	Button Hd Cap Screw
10	33854001	1	Cover - Drive Disc
11	63674000	1	Set Screw Nylon
12	15039000*	65	Ball - 0.187 Dia Torlon
13	25213000*	1	Disc - Top Drive
14	71560000*	1	Spacer - Nylon
15	65585000*	1	Spacer - Drive Disc
16	52927000*	1	Pin - Quick Release
17	59131000*	1	Ring - Retainer
18	59201000*	2	Rod End
19	42062000*	1	Knob - Quick Release
20	59200000*	1	Connecting Rod
21	47710000*	1	Nut - Jam
22	42085000*	1	Knob - Sweep Adjustment
23	44610000*	1	Label - Drive Disc
24	17869000*	2	Pivot Bolt
25	18369001*	1	Support Bracket
26	65584000	1	Spacer - Bracket
27	44612000	1	Label - Side Body
28	44614000	1	Label - Top Body
29	44621000	1	Label - Nozzle

* CONTAINED IN 81588001

 ELKHART BRASS MFG. CO., INC. ELKHART, INDIANA	
<small>THIS DRAWING CONTAINS INFORMATION THAT IS PROPRIETARY TO ELKHART BRASS MFG. CO., INC. AND MAY NOT BE USED TO PRODUCE ANY PARTS, ASSEMBLIES OR PRODUCTS DESCRIBED HEREIN WITHOUT EXPRESS WRITTEN PERMISSION.</small>	
R.A.N. PAGE 2 OF 2 05/2009	PART LIST