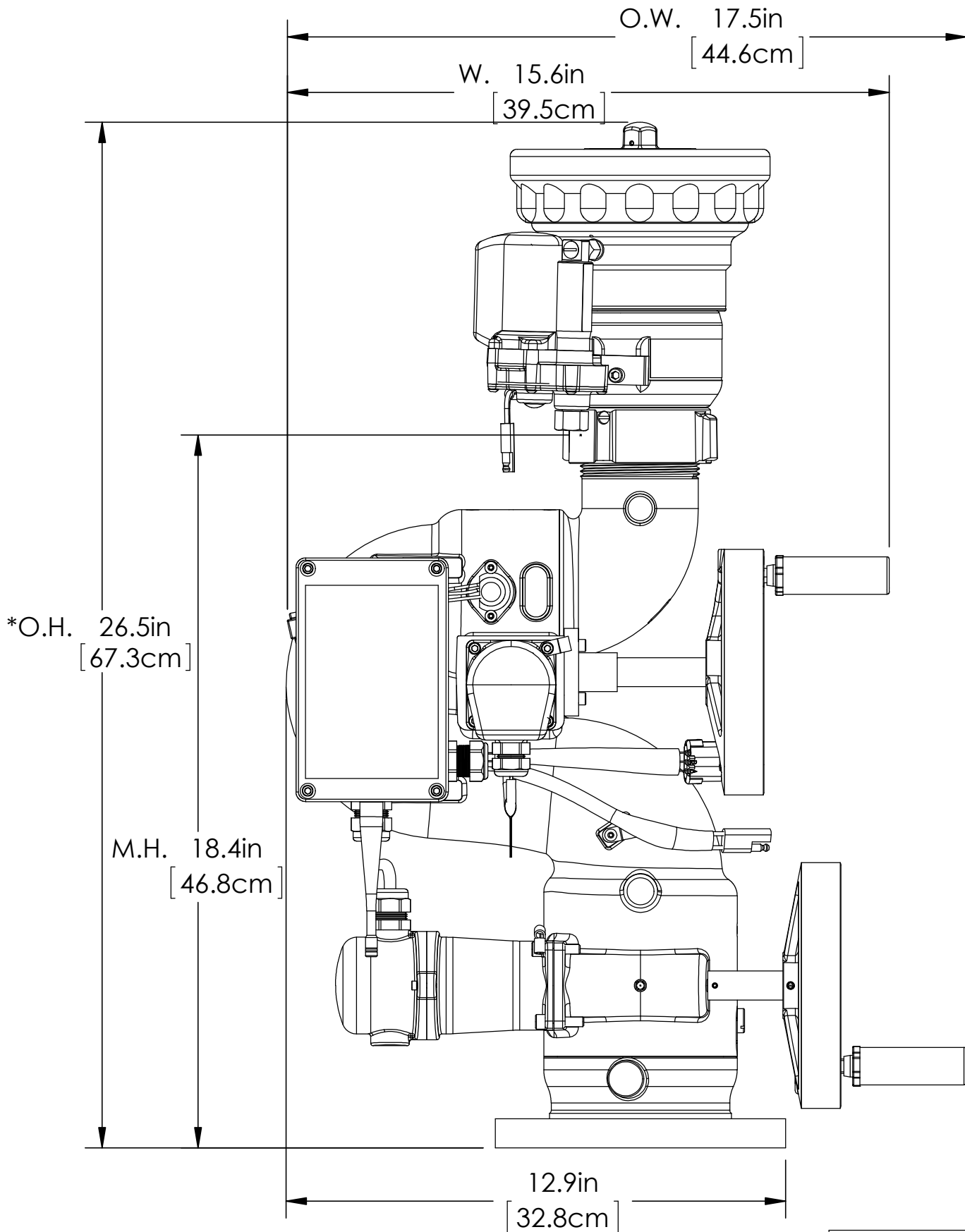

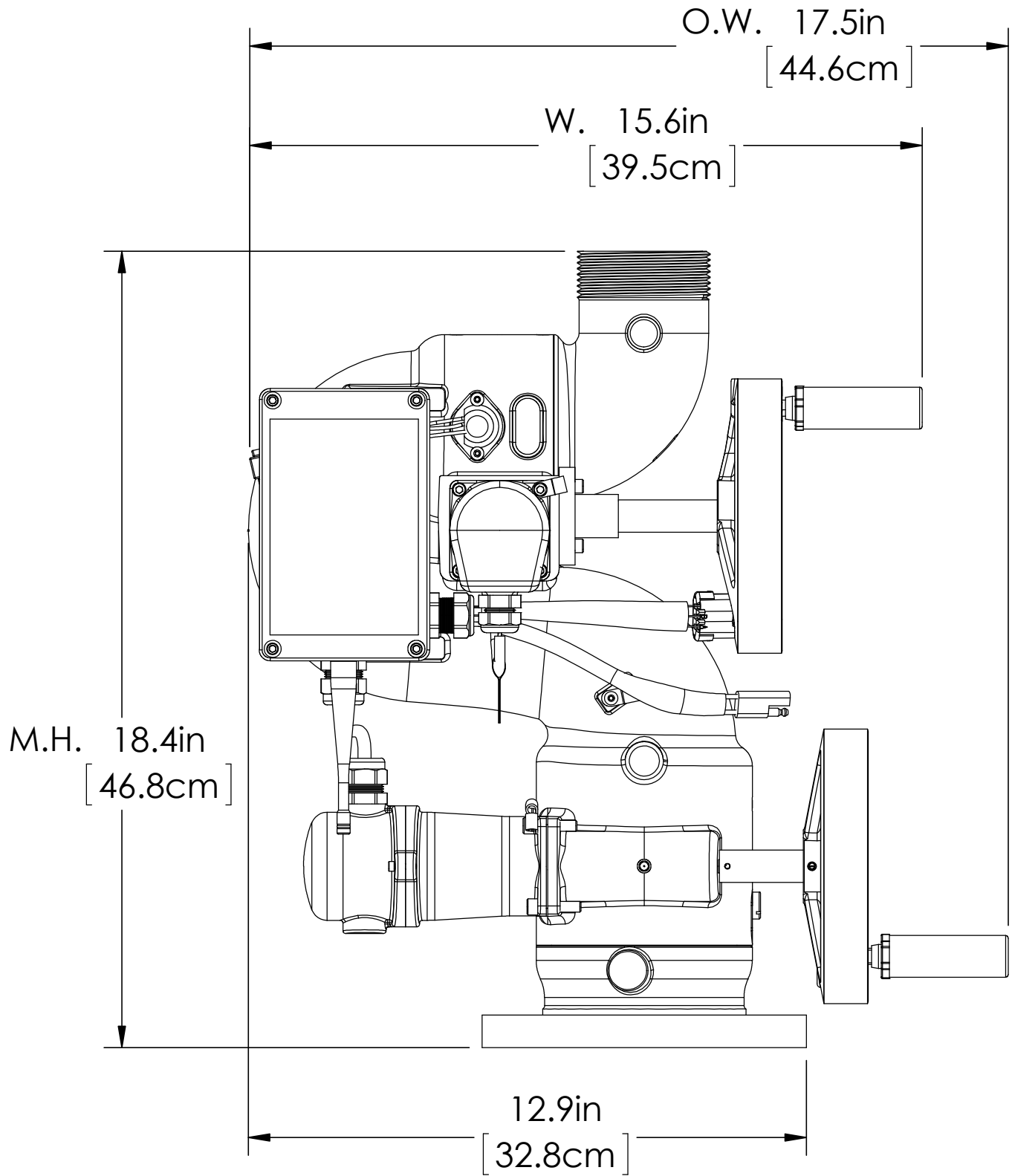


	ELKHART BRASS MFG CO., INC. ELKHART, INDIANA
<small>THIS DRAWING CONTAINS INFORMATION THAT IS PROPRIETARY TO ELKHART BRASS MFG CO., INC. AND MAY NOT BE USED TO PRODUCE ANY PARTS, ASSEMBLIES OR PRODUCTS DESCRIBED HEREIN WITHOUT EXPRESS WRITTEN PERMISSION</small>	
COPPERHEAD RF 8593-04 PAGE 1 OF 8 05/22/14	BASE VIEW DIMENSIONAL



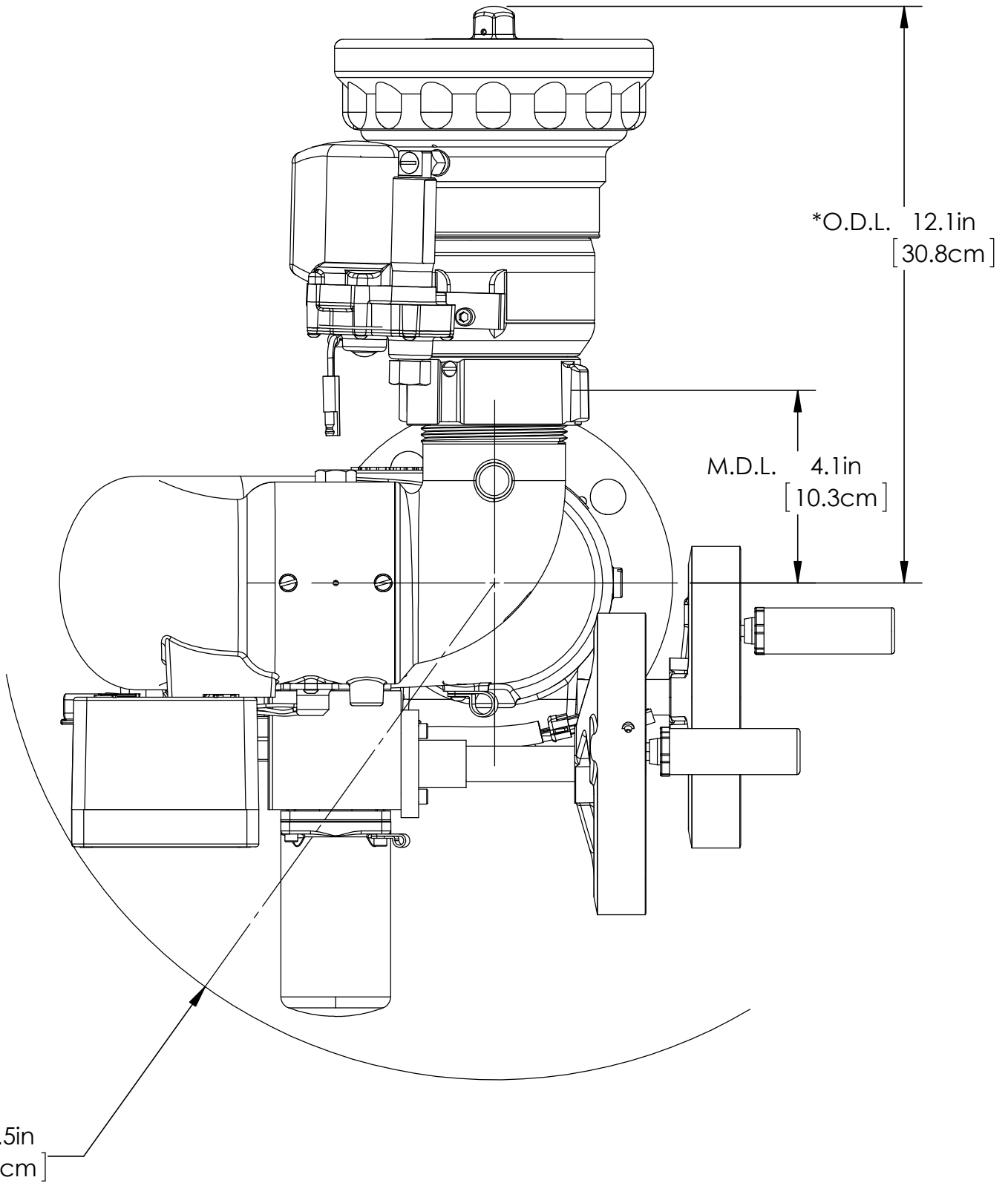
NOTES:  
 \*TYPICAL - SEE INDIVIDUAL NOZZLE DRAWINGS  
 SEE SHEET 7 FOR ABBREVIATION KEY

	ELKHART BRASS MFG CO., INC. ELKHART, INDIANA	
	THIS DRAWING CONTAINS INFORMATION THAT IS PROPRIETARY TO ELKHART BRASS MFG CO., INC. AND MAY NOT BE USED TO PRODUCE ANY PARTS, ASSEMBLIES OR PRODUCTS DESCRIBED HEREIN WITHOUT EXPRESS WRITTEN PERMISSION	
COPPERHEAD RF 8593-04 PAGE 2 OF 8 05/22/14	FRONT VIEW DIMENSIONAL	



NOTES:  
SEE SHEET 7 FOR ABBREVIATION KEY

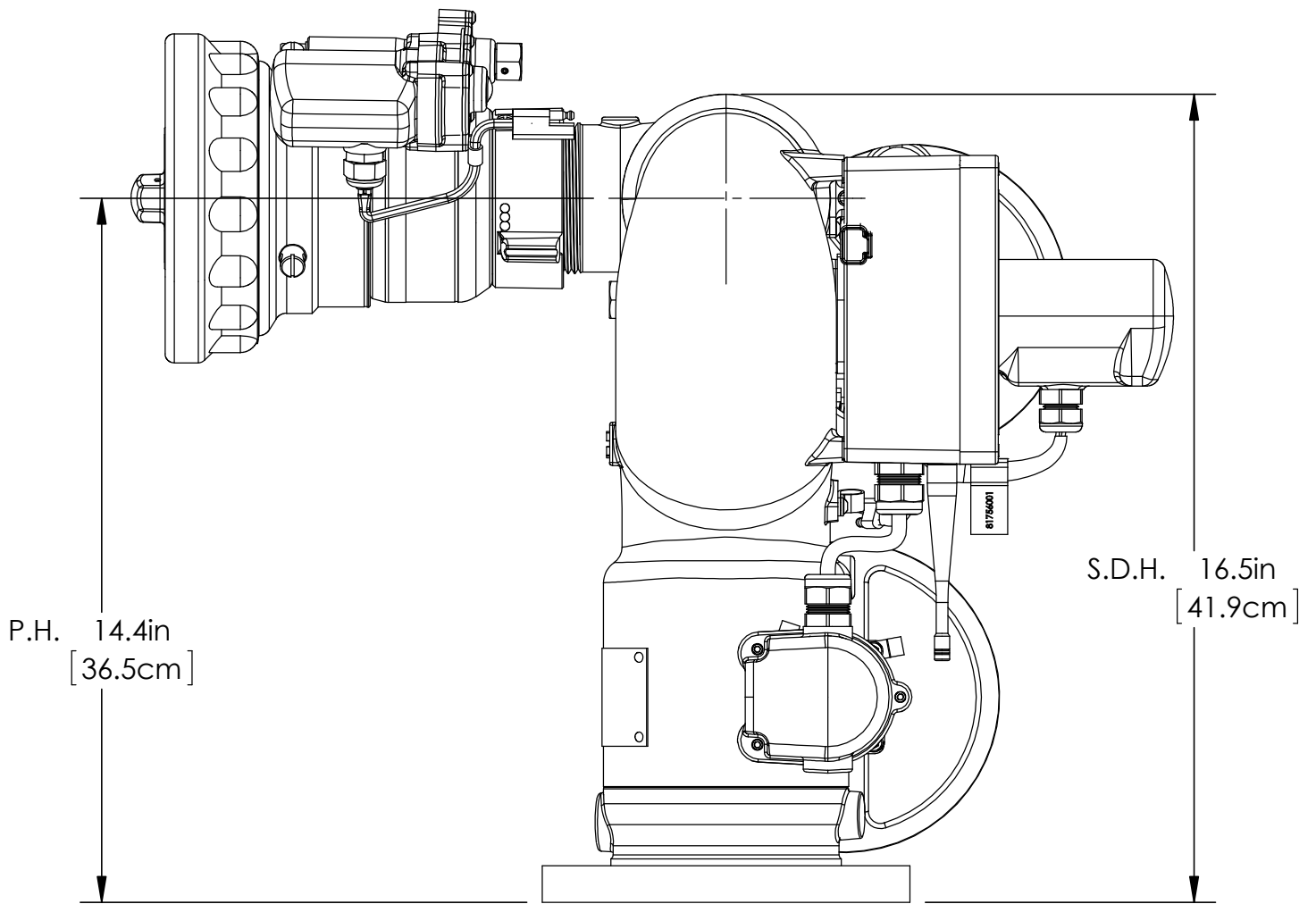
	ELKHART BRASS MFG CO., INC. ELKHART, INDIANA
THIS DRAWING CONTAINS INFORMATION THAT IS PROPRIETARY TO ELKHART BRASS MFG CO., INC. AND MAY NOT BE USED TO PRODUCE ANY PARTS, ASSEMBLIES OR PRODUCTS DESCRIBED HEREIN WITHOUT EXPRESS WRITTEN PERMISSION	
COPPERHEAD RF 8953-04 PAGE 3 OF 8 05/22/14	FRONT VIEW DIMENSIONAL



NOTES:

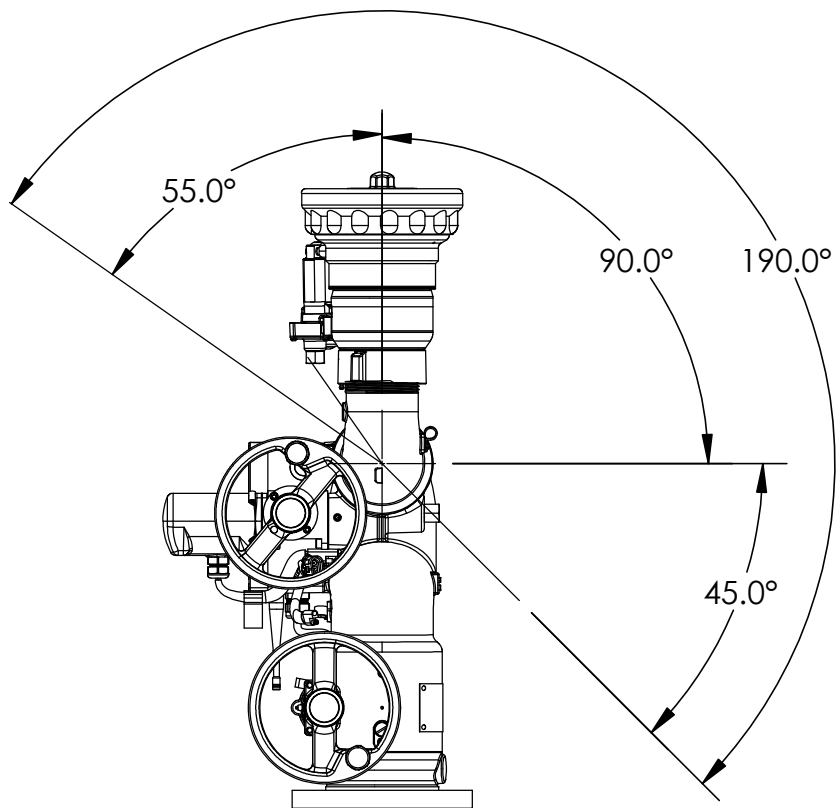
\*TYPICAL - SEE INDIVIDUAL NOZZLE DRAWINGS  
SEE SHEET 7 FOR ABBREVIATION KEY

	<p>ELKHART BRASS MFG CO., INC. ELKHART, INDIANA</p>
<p>THIS DRAWING CONTAINS INFORMATION THAT IS PROPRIETARY TO ELKHART BRASS MFG CO., INC. AND MAY NOT BE USED TO PRODUCE ANY PARTS, ASSEMBLIES OR PRODUCTS DESCRIBED HEREIN WITHOUT EXPRESS WRITTEN PERMISSION</p>	
<p>COPPERHEAD RF 8593-04 PAGE 4 OF 8 05/22/14</p>	<p>TOP VIEW DIMENSIONAL</p>

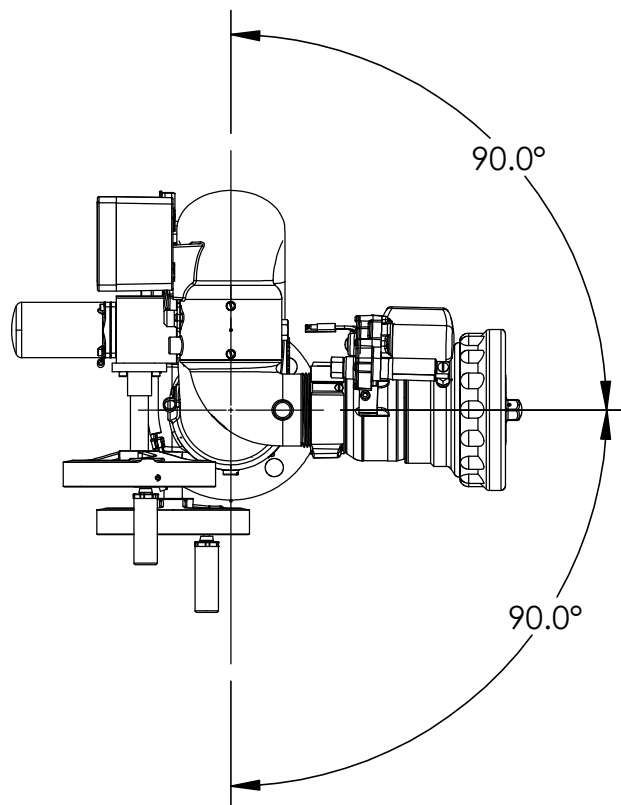


NOTES:  
SEE SHEET 7 FOR ABBREVIATION KEY

	ELKHART BRASS MFG CO., INC. ELKHART, INDIANA
<small>THIS DRAWING CONTAINS INFORMATION THAT IS PROPRIETARY TO ELKHART BRASS MFG CO., INC. AND MAY NOT BE USED TO PRODUCE ANY PARTS, ASSEMBLIES OR PRODUCTS DESCRIBED HEREIN WITHOUT EXPRESS WRITTEN PERMISSION</small>	
COPPERHEAD RF 8593-04 PAGE 5 OF 8 05/22/14	SIDE VIEW DIMENSIONAL



Side View - Vertical Travel Limits



Top View- Horizontal Travel Limits

	ELKHART BRASS MFG CO., INC. ELKHART, INDIANA
THIS DRAWING CONTAINS INFORMATION THAT IS PROPRIETARY TO ELKHART BRASS MFG CO., INC. AND MAY NOT BE USED TO PRODUCE ANY PARTS, ASSEMBLIES OR PRODUCTS DESCRIBED HEREIN WITHOUT EXPRESS WRITTEN PERMISSION	
COPPERHEAD RF 8593-04 PAGE 6 OF 8 05/22/14	RANGE OF MOTION

## DIMENSIONAL ABBREVIATION KEY\*

ABBREVIATION	DESCRIPTION
A.L.	Antenna Length
D.	Depth
D.L.	Discharge Length
H.H.	Handle Height
H.S.R.	Handle Swing Radius
L.	Length
M.D.L.	Monitor Discharge Length
M.H.	Monitor Height
O.D.L.	Overall Discharge Length
O.H.	Overall Height
O.L.	Overall Length
P.H.	Pivot Height
P.R.	Pivot Radius
R.	Radius
S.D.H.	Stow Down Height
W.	Width

\*Not all abbreviations will be used on every drawing



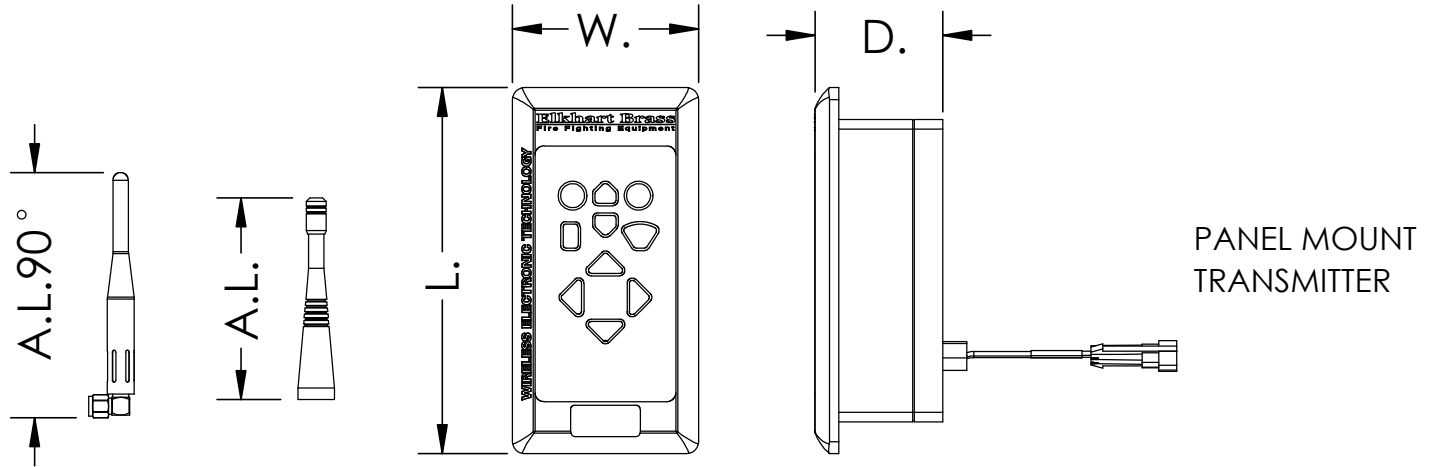
ELKHART BRASS MFG CO., INC.  
ELKHART, INDIANA

THIS DRAWING CONTAINS INFORMATION THAT IS  
PROPRIETARY TO ELKHART BRASS MFG CO., INC.  
AND MAY NOT BE USED TO PRODUCE ANY PARTS,  
ASSEMBLIES OR PRODUCTS DESCRIBED HEREIN  
WITHOUT EXPRESS WRITTEN PERMISSION

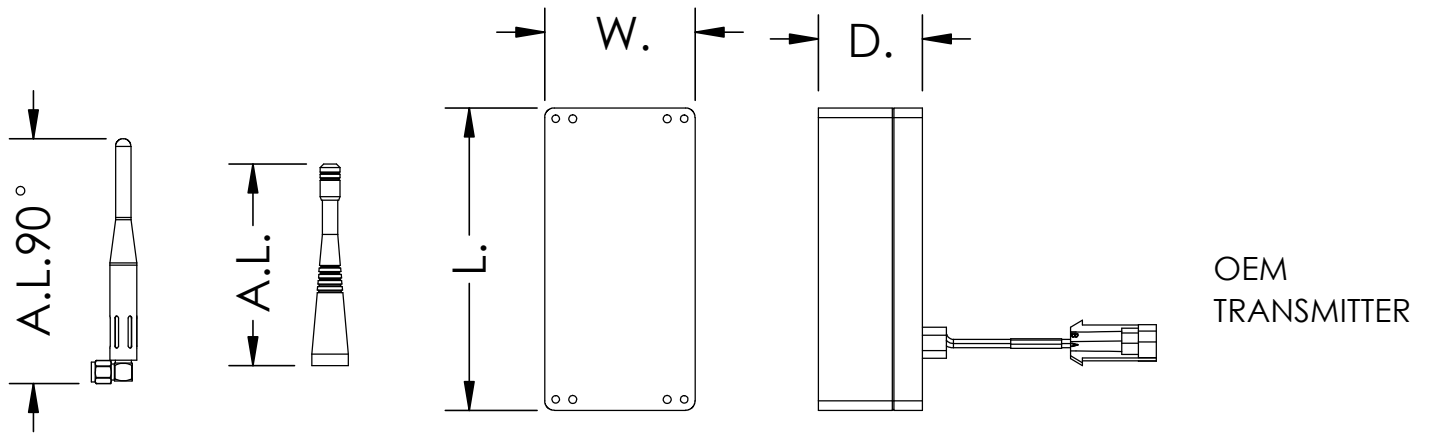
COPPERHEAD RF 8593-04  
PAGE 7 OF 8  
05/22/14

DIMENSIONAL  
KEY

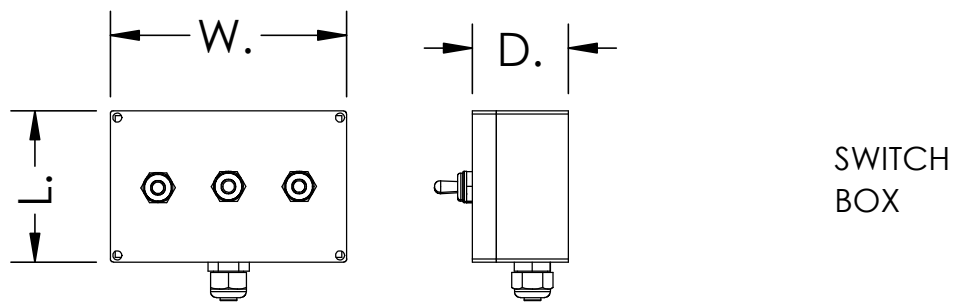
# CONTROLS REF. DIMENSIONS



PANEL MOUNT TRANSMITTER



OEM TRANSMITTER




SWITCH BOX

NOTES:  
SEE SHEET 7 FOR ABBREVIATION KEY

## COPPERHEAD RF CONTROLS DIMENSIONAL TABLE

(In Inches)

MODEL	(L) LENGTH	(D) DEPTH	(W) WIDTH	(A.L.90°) ANTENNA LENGTH	(A.L.) ANTENNA LENGTH
PANEL MOUNT TRANSMITTER	7.625	2.391	3.875	3.828	3.150
OEM TRANSMITTER	6.300	2.170	3.130	3.828	3.150
SWITCH BOX	3.140	2.250	4.920	-	-


**ELKHART BRASS MFG CO., INC.**  
 ELKHART, INDIANA

THIS DRAWING CONTAINS INFORMATION THAT IS PROPRIETARY TO ELKHART BRASS MFG CO., INC. AND MAY NOT BE USED TO PRODUCE ANY PARTS, ASSEMBLIES OR PRODUCTS DESCRIBED HEREIN WITHOUT EXPRESS WRITTEN PERMISSION

COPPERHEAD RF 8593-04  
 PAGE 8 OF 8  
 05/22/14

**CONTROLS DIMENSIONAL**