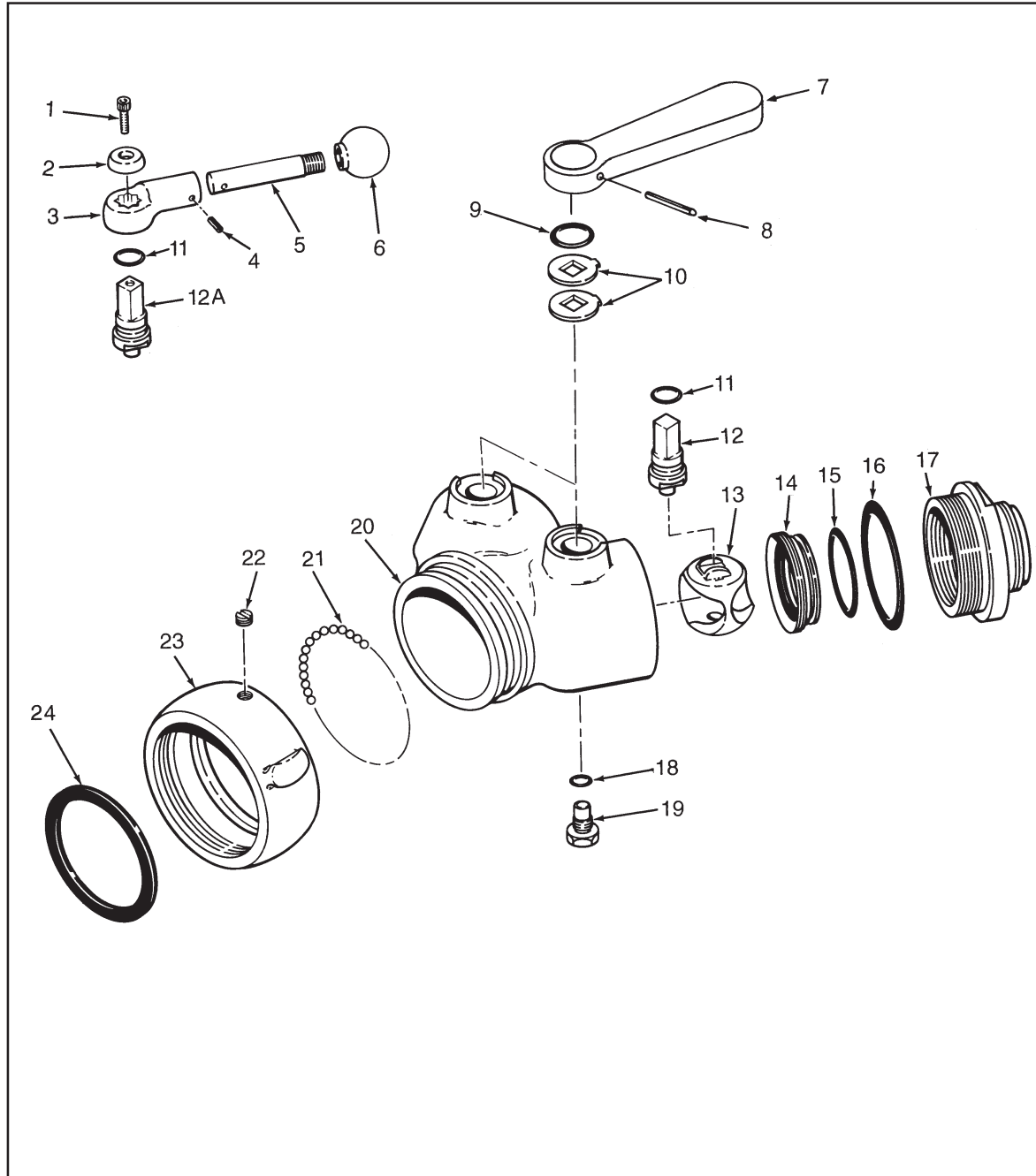


B-100, B-100A, B-100-L & B-100-LA - (Old Style - Pre '93)

INDEX NO.	PART NO.	QTY. REQ.	DESCRIPTION
1	61036	2	Cap Screw, O/S (Pre '79)
2	71082	2	Handle Washer, O/S (Pre '79)
3	15802	2	Handle Body
4	51243	2	Roll Pin
5	61520	2	Handle Rod
6	42022	2	Handle Knob
7	36313	2	Handle (Molded Urethane)
8	51254	2	Roll Pin
9	57395	2	"O" Ring
10	51813	4	Stop Plate
11	57321	2	"O" Ring for Actuator Shaft
12	63754	2	Actuator Shaft
12A	61476	2	Actuator Shaft, O/S (Pre '79)
13	15063	2	Valve Ball, O/S (Pre '85)
13	17304	2	Valve Ball
14	61347	2	Adjustable Seat (B-100 & B-100-L)
14	61341	2	Adjustable Seat (B-100A & B-100-LA)
15	57334	2	"O" Ring for Seat
16	57324	2	"O" Ring for Outlet Adapter
17	10817	2	1.5" Outlet Adapter (B-100 & B-100-L)
17	10818	2	1.5" Outlet Adapter (B-100A & B-100-LA)
18	57348	2	"O" Ring for Pivot Screw
19	63704	2	Pivot Screw
20	16337	1	Wye Body (B-100)
20	16340	1	Wye Body (B-100A)
20	16335	1	Wye Body (B-100-L)
20	16334	1	Wye Body (B-100-LA)
21	15003	52	.187" Diam. Delrin Ball, O/S (Pre '82)
21	15016	52	.187" Diam. Brass Ball (B-100)
21	15018	52	.187" Diam. S/S Ball (B-100A)
21	15016	32	.187" Diam. Brass Ball (B-100-L)
21	15018	32	.187" Diam. S/S Ball (B-100-LA)
22	61221	1	Set Screw (B-100 & B-100-L)
22	63674	1	Set Screw (B-100A & B-100-LA)
23	62916	1	2.5" R/L Swivel (B-100)
23	63069	1	2.5" R/L Swivel (B-100A)
23	62960	1	1.5" R/L Swivel (B-100-L)
23	63068	1	1.5" R/L Swivel (B-100-LA)
24	33083	1	2.5" Swivel Gasket (B-100 & B-100A)
24	33074	1	1.5" Swivel Gasket (B-100-L & B-100-LA)



April, 1996

B-100, B-100A, B-100-L & B-100-LA
(Old Style - Pre '93)