



ELKHART BRASS MFG. CO., INC.

1302 WEST BEARDSLEY AVENUE • P.O. BOX 1127 • ELKHART IN 46515 • (574) 295-8330 • FAX (574) 293-9914

Installation Instructions Manual



Foam Tubes
Model 251-6, 251-6 CJ,
252-8, 253-9

Table of Contents

I. PRODUCT SAFETY	1
II. INSTALLATION INSTRUCTIONS.....	2
1. 251-6 FOAM TUBE.....	2
2. 251-6 CJ FOAM TUBE	3
3. 252-8 FOAM TUBE.....	4
4. 253-9 FOAM TUBE.....	5
5. 254-6 FOAM TUBE.....	6

I. PRODUCT SAFETY



Important:

Before installing and operating this equipment, read & study this manual thoroughly. Proper installation is essential to safe operation. In addition, the following points should be adhered to in order to ensure the safety of equipment and personnel:

1. All personnel who may be expected to use this equipment must be thoroughly trained in its safe and proper use.
2. Before flowing water from this device, check that all personnel (fire service and civilian) are out of the stream path. Also, check to make sure stream direction will not cause avoidable property damage.

II. INSTALLATION INSTRUCTIONS

1. 251-6 Foam Tube

To attach the foam tube to the nozzle first lift up on the lever handle to open the jaw clamp (see **Figure 1**), then carefully tilt the nozzle bumper into the half round portion of foam tube base clearing the jaw clamp. Next press down firmly on the lever handle to fully clamp nozzle into place (see **Figure 2**).

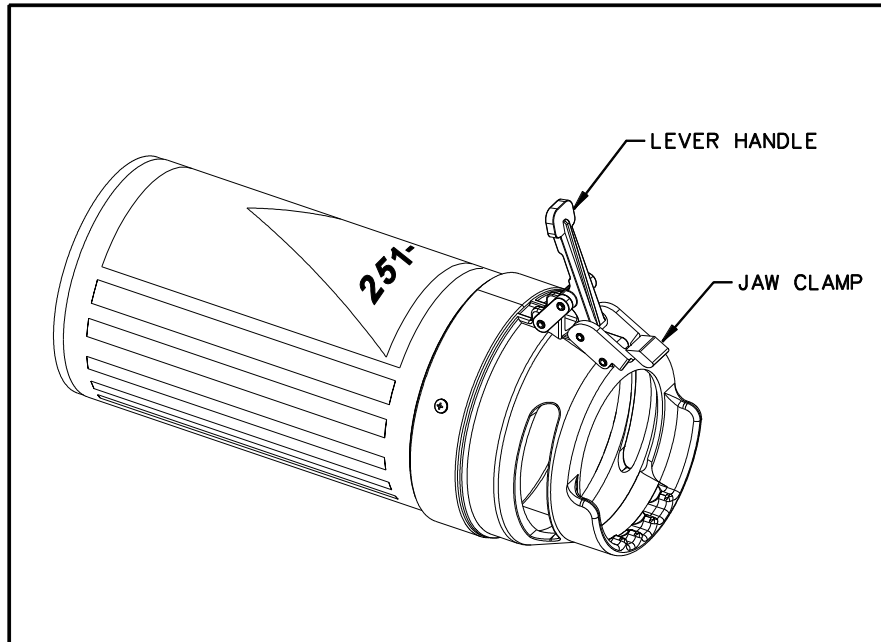


Figure 1

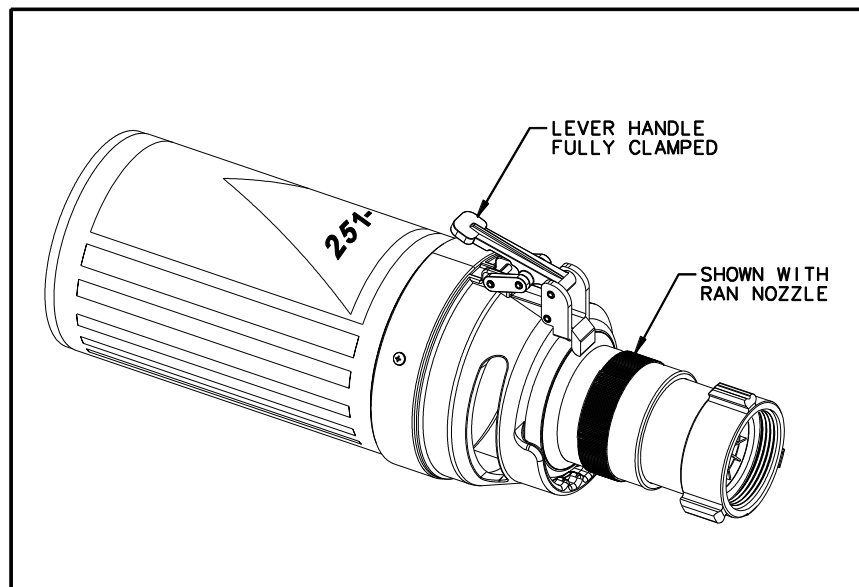


Figure 2

2. 251-6 CJ Foam Tube

To attach the foam tube to the nozzle first lift up on the lever handle to open the jaw clamp (see **Figure 3**), then carefully tilt the nozzle bumper into the half round portion of foam tube base clearing the jaw clamp. Next press down firmly on the lever handle to fully clamp nozzle into place (see **Figure 4**).

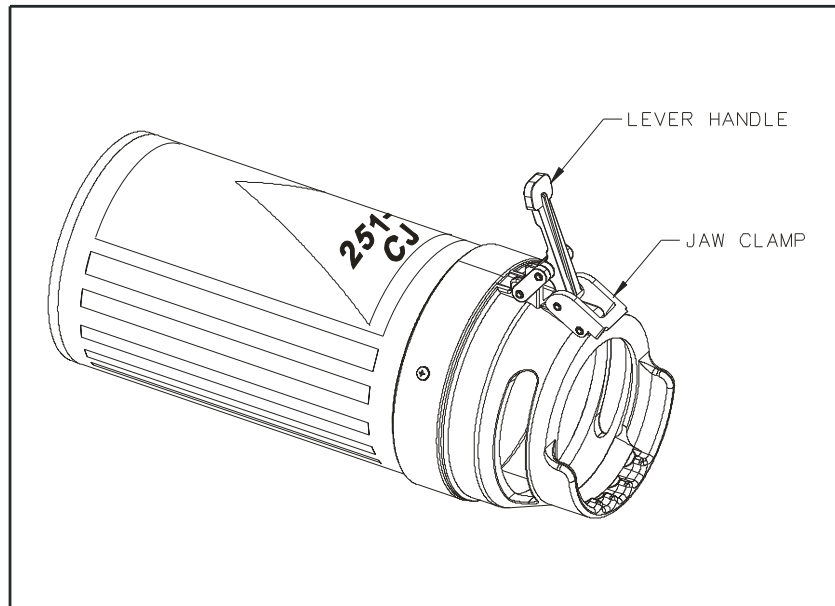


Figure 3

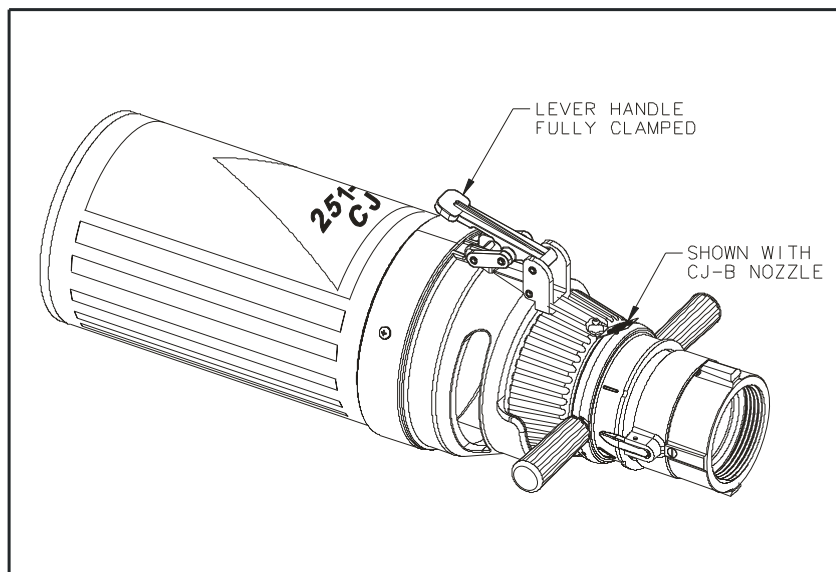


Figure 4

3. 252-8 Foam Tube

To attach the foam tube to the nozzle first lift up on lever handle to open the jaw clamp (see **Figure 5**), then carefully tilt the nozzle bumper into the half round portion of foam tube base clearing the jaw clamp. Next*, press down firmly on the lever handle to fully clamp nozzle into place (see **Figure 6**).

*Note: If the foam tube was manufactured before October 2008, make sure that the cable screw and cam slot screw are positioned between the flats on foam tube,

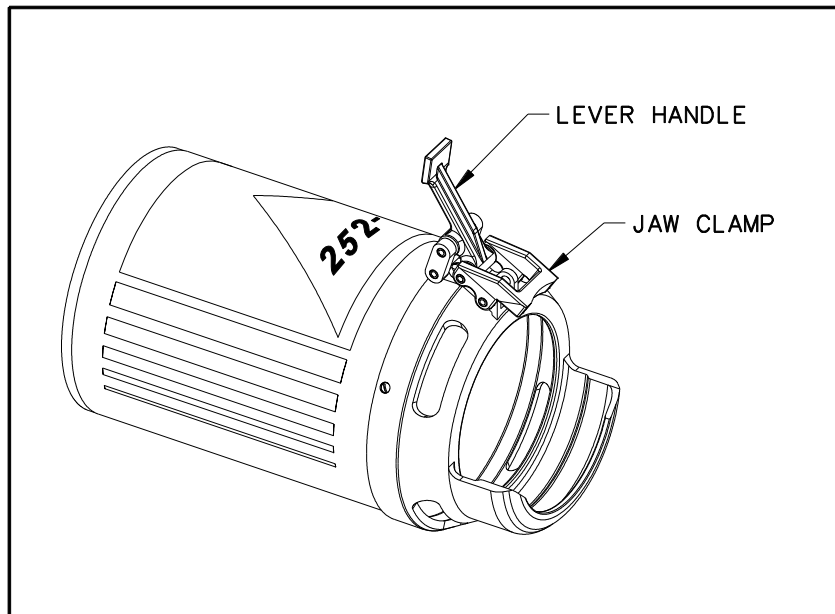


Figure 5

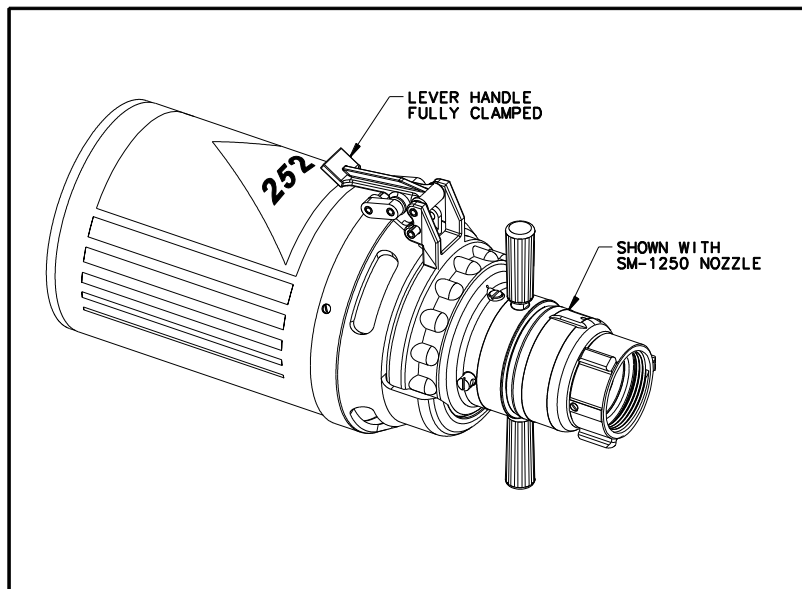


Figure 6

4. 253-9 Foam Tube

To attach the foam tube to the nozzle first lift up on lever handle to open the jaw clamp (see Figure 7), then carefully tilt the nozzle bumper into the half round portion of foam tube base clearing the jaw clamp. Next press down firmly on the lever handle to fully clamp nozzle into place (see Figure 8).

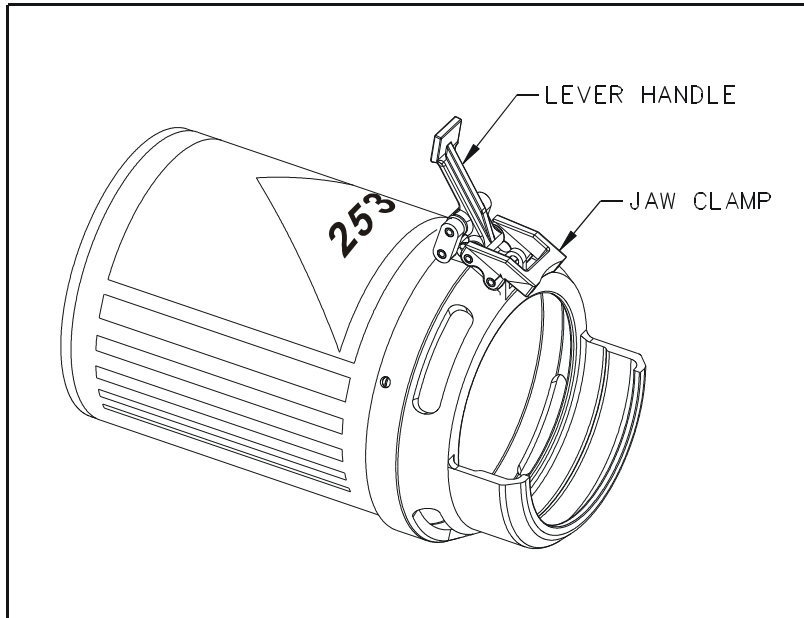


Figure 7

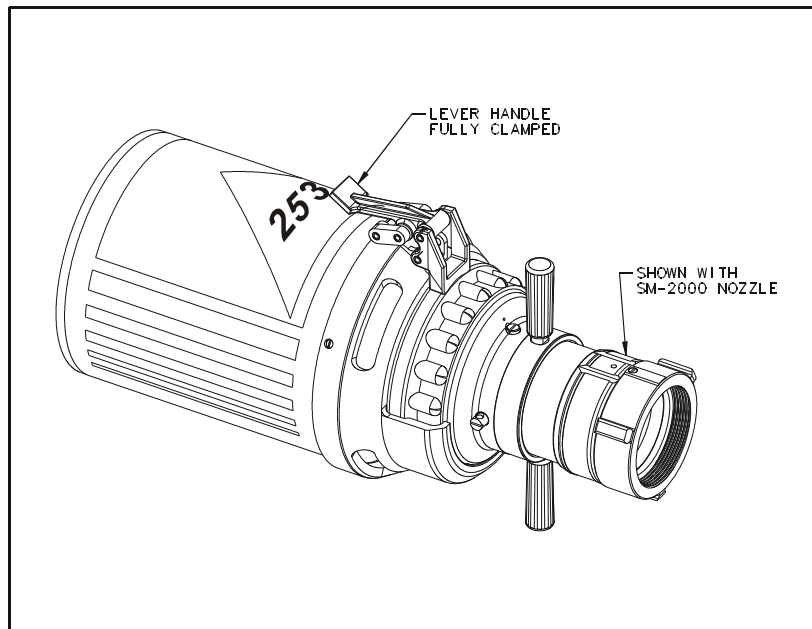


Figure 8

5. 254-6 Foam Tube

To attach the foam tube to the nozzle first lift up on the lever handle to open the jaw clamp (see Figure 9), then carefully tilt the nozzle bumper into the half round portion of foam tube base clearing the jaw clamp. Next press down firmly on the lever handle to fully clamp nozzle into place (see Figure 10).

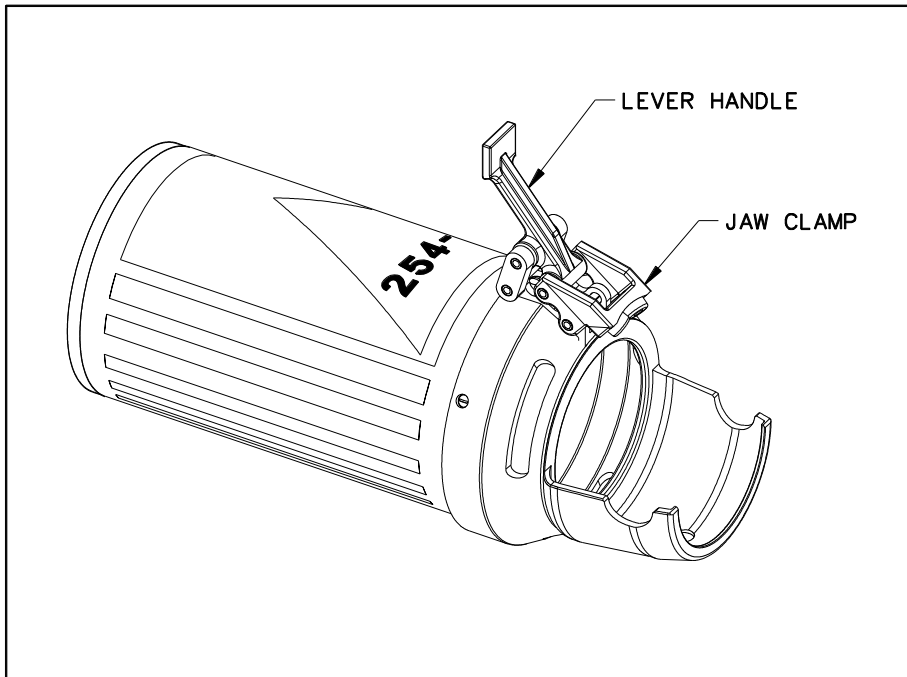


Figure 9

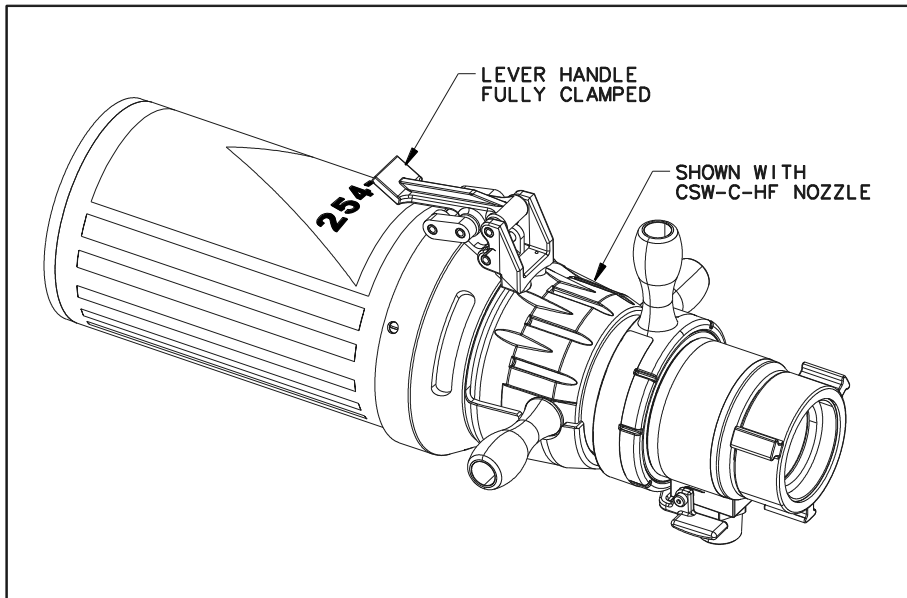


Figure 10



Elkhart Brass

Fire Fighting Equipment

Elkhart Brass Mfg. Co., Inc.

Mailing Address:

P.O. Box 1127

Elkhart, IN 46515 USA

Shipping Address:

1302 W. Beardsley Ave.

Elkhart, IN 46514 USA

Tel. 1-574-295-8330

1-800-346-0250

Fax 1-574-293-9914

e-mail: info@elkhartbrass.com

www.elkhartbrass.com