

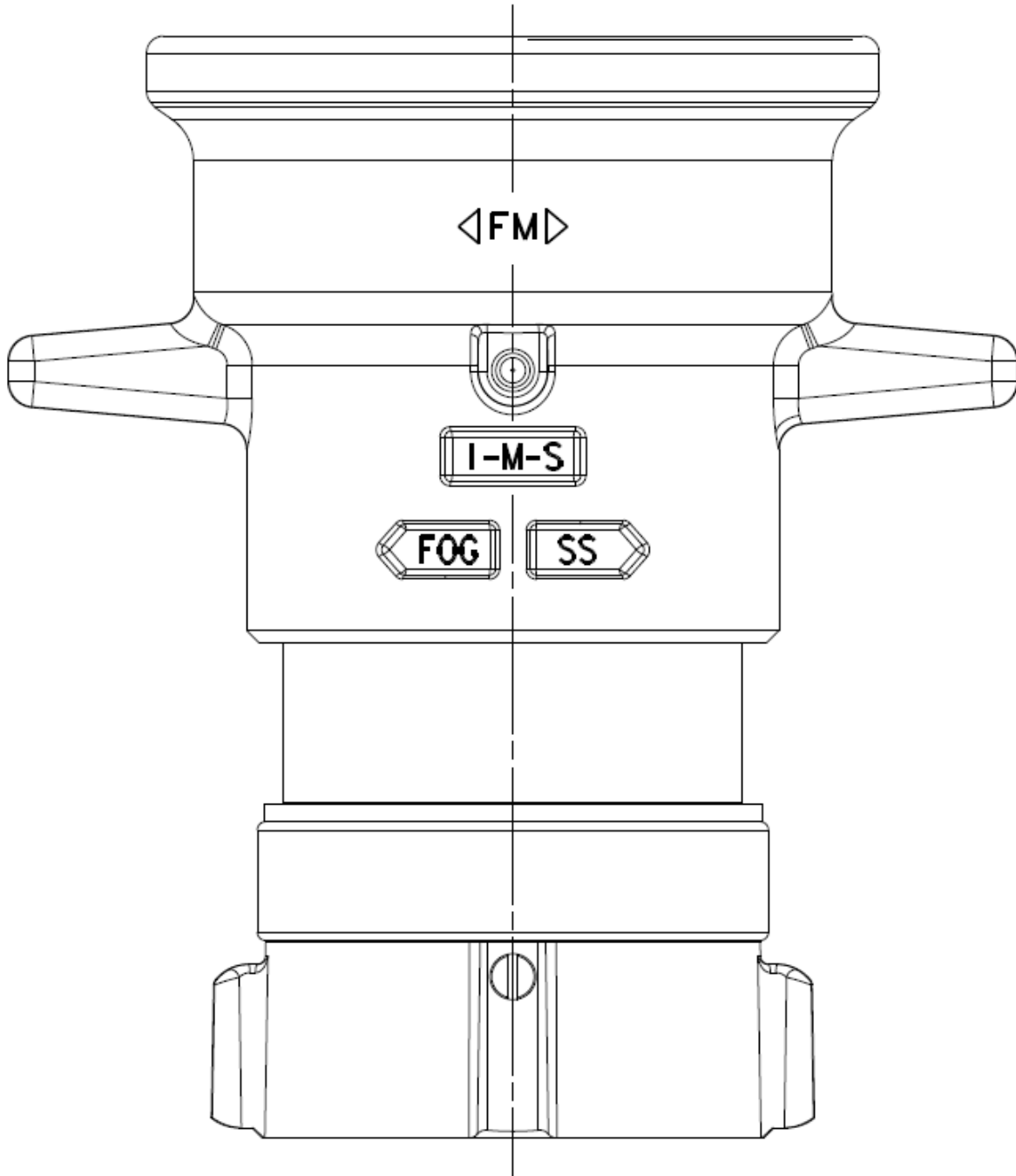


ELKHART BRASS MFG. CO., INC.

1302 WEST BEARDSLEY AVENUE • P.O. BOX 1127 • ELKHART IN 46515 • (574) 295-8330 • FAX (574) 293-9914

INSTRUCTIONS FOR ELKHART "I.M.S. 750 & 1000"

MASTER STREAM MONITOR NOZZLES



CAUTION:

Before installing and operating this equipment, read & study this manual thoroughly. Proper installation is essential to safe operation. In addition, the following points should be adhered to in order to ensure the safety of equipment and personnel:

- All personnel who may be expected to use this equipment must be thoroughly trained in its safe and proper use.
- The inlet connection of the nozzle must be securely tightened. Failure to do so may result in serious injury or death.
- Before flowing water from this device, check that all personnel (fire service and civilian) are out of the stream path. Also, check to make sure stream direction will not cause avoidable property damage.
- Become thoroughly familiar with the hydraulic characteristics of this equipment, and the pumping system used to supply it. To produce effective fire streams operating personnel must be properly trained.
- Open water valve supplying this equipment slowly, so that piping and hose lines fill slowly, thus preventing possible water hammer occurrence.
- After each use, and on a scheduled basis, inspect equipment per instructions on page 2.

INSTALLATION:

Thread the inlet swivel onto the 2.5" NHT male discharge outlet of an Elkhart Brass monitor. Screw the swivel down and tighten securely with a spanner wrench.

OPERATING:

Use the handles on either side of the nozzle tip to change the stream pattern by rotating the tip. Place the nozzle in the Straight Stream position by rotating the nozzle tip clockwise until it has moved as far forward as possible. Turning the tip counter-clockwise will transition the nozzle stream from a straight pattern at the furthest forward position through an ever widening fog pattern to a wide fog pattern when the nozzle tip is at the furthest back position. Recessed arrows with cast letters (SS for Straight Stream and FOG for the Fog patterns) on either side of the nozzle tip indicate the direction the tip needs to be rotated for the desired stream pattern. The nozzle may be operated in any position from Straight Stream to Wide Fog. Refer to the chart on page 2 for nozzle flow vs. pressure.

INSPECTION:

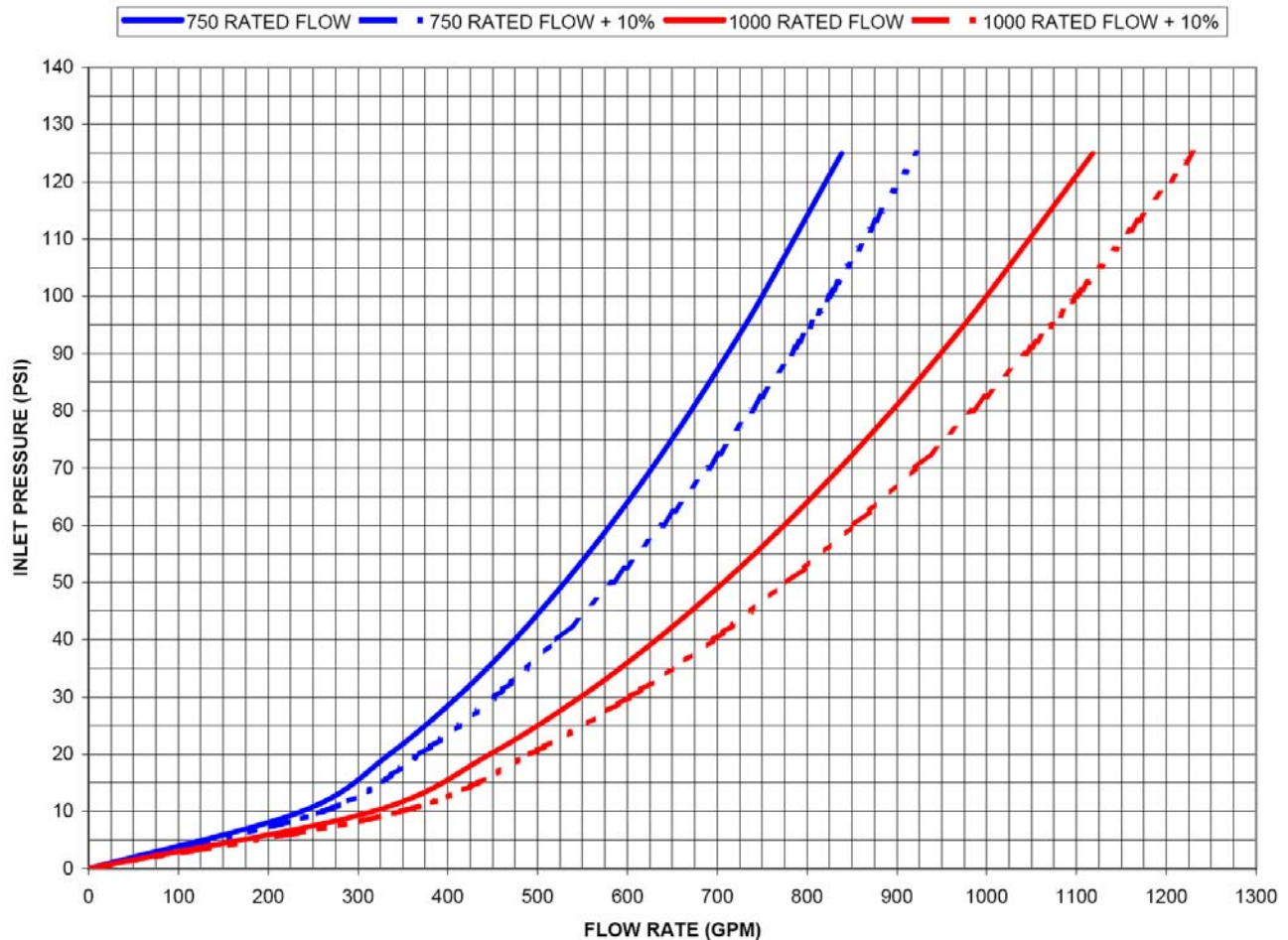
Inspect the nozzle after each use and at least monthly when not in use. Check the nozzle for any signs of damage or contamination from bird or insect nests when not used for long periods of time. Check the nozzle operation by turning the nozzle tip through its entire range of motion several times. Grease if required (see Maintenance).

MAINTERNANCE:

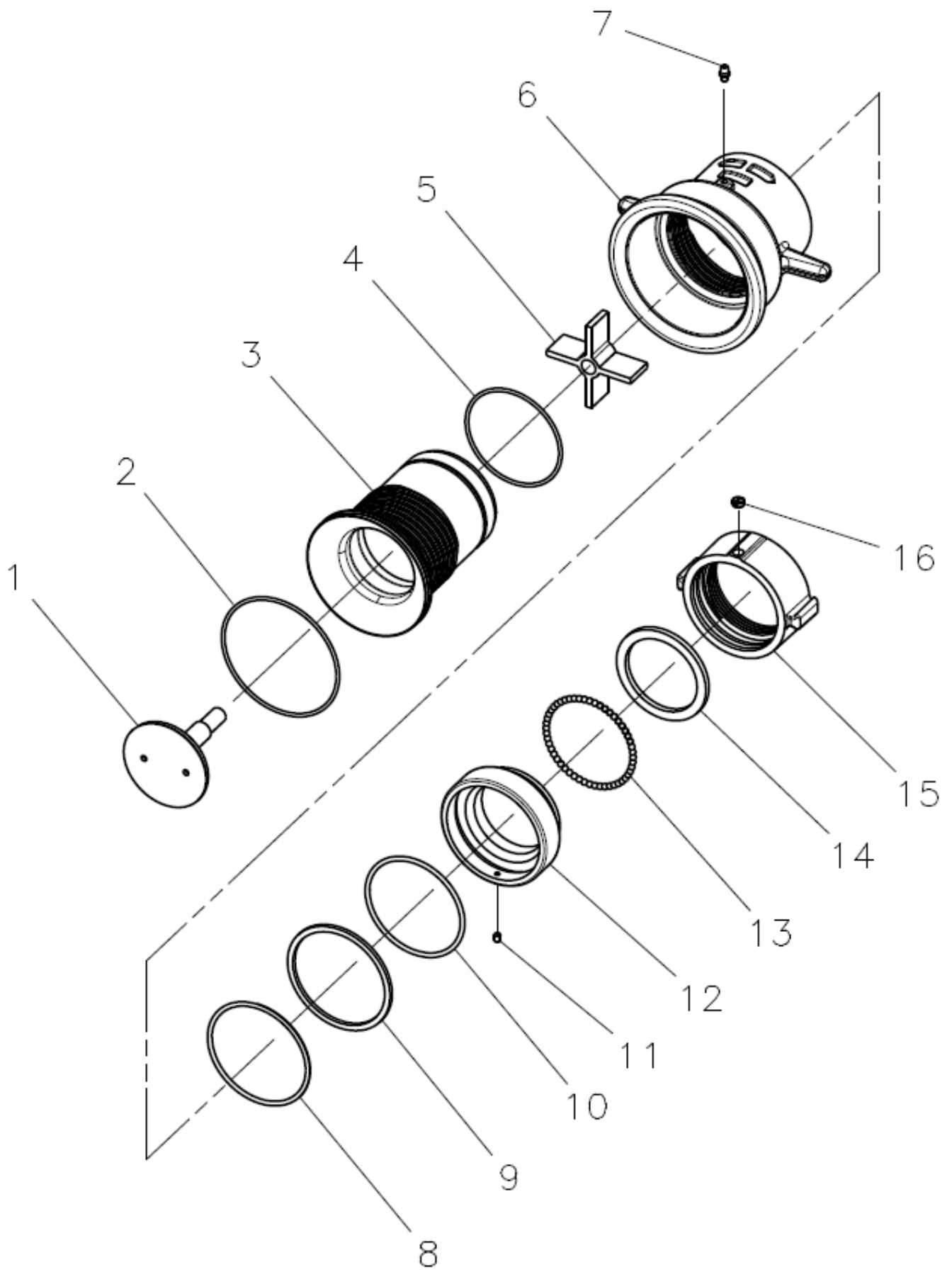
AFTER EACH USE; With the nozzle in the Straight Stream position, wipe clean the inside of the nozzle tip at the discharge end and apply a thin coating of grease to the cleaned surface. We recommend "Dow Corning #7 Lubricant/Sealant". Move the nozzle tip through its entire range of motion several times to distribute the grease.

AS REQUIRED; Turn the nozzle tip clockwise until the nozzle is in the Straight Stream position and lubricate the threads through the grease fitting on the nozzle tip. We recommend "Dow Corning #7 Lubricant/Sealant". The nozzle does not require much grease, one quick shot should be sufficient. Be careful to avoid over greasing the nozzle through the grease fitting. With the nozzle in the Straight Stream position, wipe clean the inside of the nozzle tip at the discharge end and apply a thin coating of grease to the cleaned surface. Rotate the nozzle tip to the Wide Fog position and apply a small amount of grease through the grease fitting again, avoid over greasing the nozzle. Move the nozzle tip through its entire range of motion several times to distribute the grease. Wipe off any excess grease. Storing the nozzle in the Wide Fog position will help protect the o-ring surfaces from exposure to the elements and contaminants that may be attracted by the grease.

I.M.S. (750 & 1000) FLOW vs. PRESSURE



LAST REVISED 04/04/09



I.M.S. MASTER STREAM NOZZLE (750 & 1000 GPM)

INDEX NO.	PART NO.	QUANTITY PER UNIT	DESCRIPTION
1	69069001	1	Nozzle Stem (750 GPM)
1	69070001	1	Nozzle Stem (1000 GPM)
2	57312000	1	O-ring 3.359 ID x 0.139 C/S
3	17190001	1	Nozzle Body
4	57414000	1	O-ring 3.237 ID x 0.103 C/S
5	61844001	1	Stem (Web) Base
6	66429001	1	Nozzle Tip
7	31011000	1	Grease Fitting
8	57312000	1	O-ring 3.359 ID x 0.139 C/S
9	33287000	1	Gasket
10	57314000	1	O-ring 3.234 ID x 0.139 C/S
11	63678000	1	Set Screw #10-24 x 0.25 lg. SS
12	11574001	1	Adapter B/G
13	15016000	52	Balls 0.187 Dia. Brass
14	33083000	1	Gasket 2.5"
15	62919001	1	Swivel 2.5" NH
16	61222000	1	Set Screw 0.375-24 x 0.187 lg. Brass



Elkhart Brass

Fire Fighting Equipment

Elkhart Brass Mfg. Co., Inc.

Mailing Address:

P.O. Box 1127

Elkhart, IN 46515 USA

Shipping Address:

1302 W. Beardsley Ave.

Elkhart, IN 46514 USA

Tel. 1-574-295-8330

1-800-346-0250

Fax 1-574-293-9914

e-mail: info@elkhartbrass.com

www.elkhartbrass.com