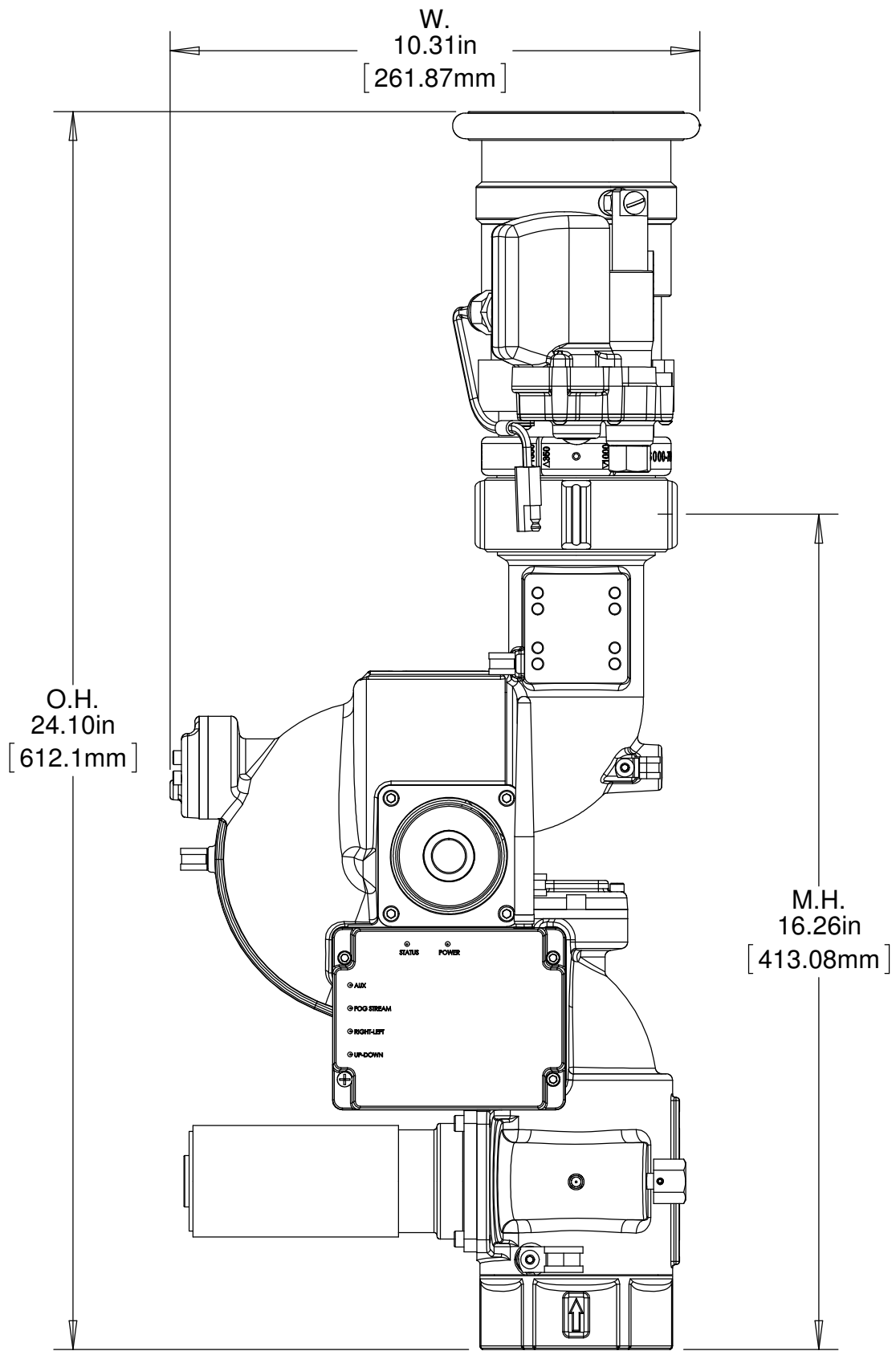


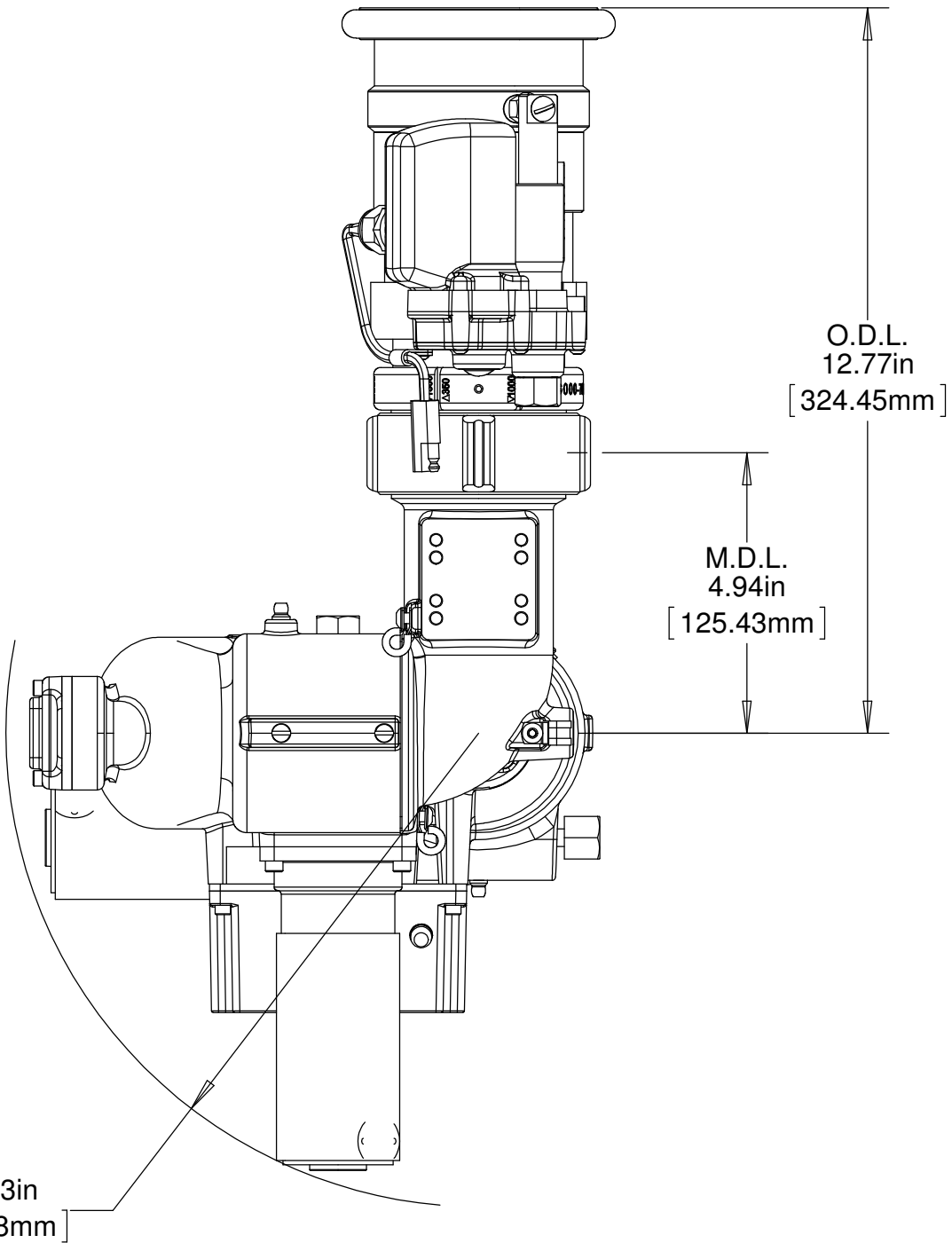
THIS DRAWING CONTAINS INFORMATION THAT IS PROPRIETARY TO ELKHART BRASS MFG CO., INC. AND MAY NOT BE USED TO PRODUCE ANY PARTS, ASSEMBLIES OR PRODUCTS DESCRIBED HEREIN WITHOUT EXPRESS WRITTEN PERMISSION

7101 HD (00007101HD) DIMENSIONAL
PAGE 1 OF 6

BASE
DIMENSIONAL



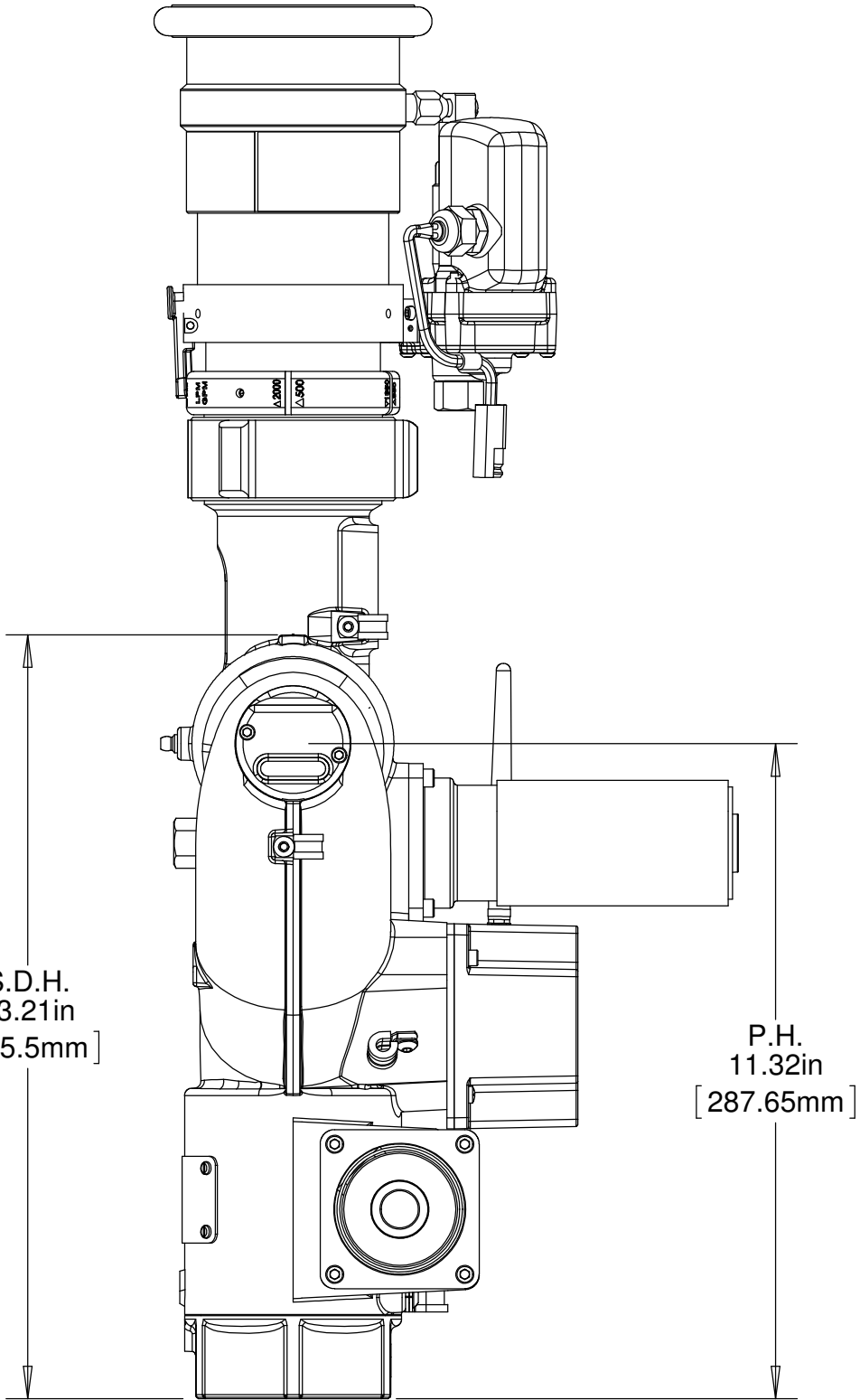
 ELKHART BRASS Fire Fighting Equipment	
<small>THIS DRAWING CONTAINS INFORMATION THAT IS PROPRIETARY TO ELKHART BRASS MFG CO., INC. AND MAY NOT BE USED TO PRODUCE ANY PARTS, ASSEMBLIES OR PRODUCTS DESCRIBED HEREIN WITHOUT EXPRESS WRITTEN PERMISSION</small>	
<small>7101 HD (00007101HD) DIMENSIONAL</small> <small>PAGE 2 OF 6</small>	<small>BACK VIEW DIMENSIONAL</small>



ELKHART BRASS
 Fire Fighting Equipment

THIS DRAWING CONTAINS INFORMATION THAT IS PROPRIETARY TO ELKHART BRASS MFG CO., INC. AND MAY NOT BE USED TO PRODUCE ANY PARTS, ASSEMBLIES OR PRODUCTS DESCRIBED HEREIN WITHOUT EXPRESS WRITTEN PERMISSION

7101 HD (00007101HD) DIMENSIONAL	TOP VIEW DIMENSIONAL
PAGE 3 OF 6	



S.D.H.
13.21in
[335.5mm]

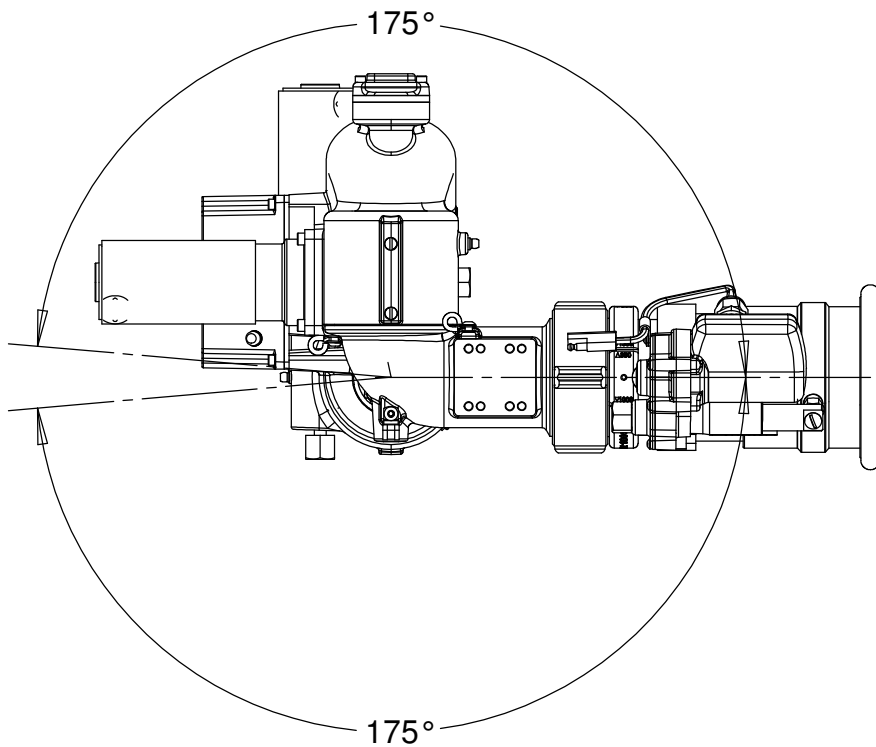
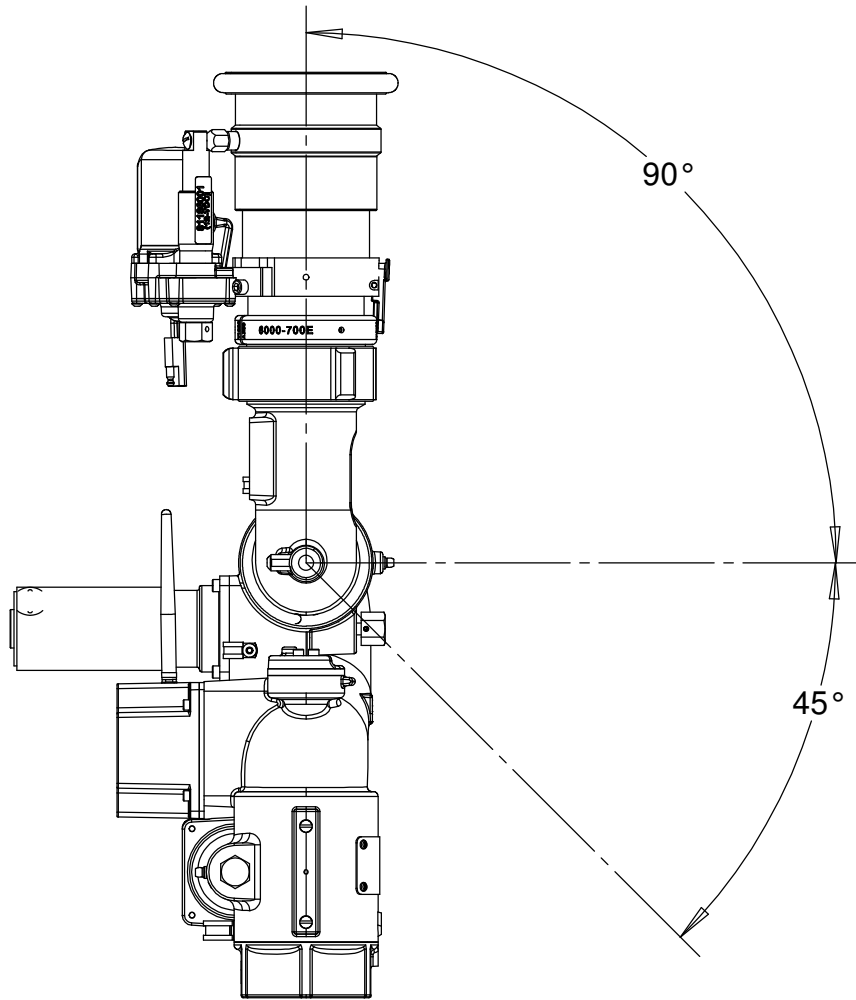
P.H.
11.32in
[287.65mm]




THIS DRAWING CONTAINS INFORMATION THAT IS PROPRIETARY TO ELKHART BRASS MFG CO., INC. AND MAY NOT BE USED TO PRODUCE ANY PARTS, ASSEMBLIES OR PRODUCTS DESCRIBED HEREIN WITHOUT EXPRESS WRITTEN PERMISSION

7101 HD (00007101HD) DIMENSIONAL
PAGE 4 OF 6

SIDE VIEW
DIMENSIONAL




 ELKHART BRASS Fire Fighting Equipment	
<small>THIS DRAWING CONTAINS INFORMATION THAT IS PROPRIETARY TO ELKHART BRASS MFG CO., INC. AND MAY NOT BE USED TO PRODUCE ANY PARTS, ASSEMBLIES OR PRODUCTS DESCRIBED HEREIN WITHOUT EXPRESS WRITTEN PERMISSION</small>	
<small>7101 HD (00007101HD) DIMENSIONAL</small> PAGE 5 OF 6	RANGE OF MOTION

DIMENSIONAL ABBREVIATION KEY*

ABBREVIATION	DESCRIPTION
D.L.	DISCHARGE LENGTH
H.H.	HANDLE HEIGHT
H.S.R.	HANDLE SWING RADIUS
M.D.L.	MONITOR DISCHARGE LENGTH
M.H.	MONITOR HEIGHT
O.D.L.	OVERALL DISCHARGE LENGTH
O.H.	OVERALL HEIGHT
O.L.	OVERALL LENGTH
P.H.	PIVOT HEIGHT
P.R.	PIVOT RADIUS
R.	RADIUS
S.D.H.	STOW DOWN HEIGHT
W.	WIDTH

***NOT ALL ABBREVIATIONS WILL BE USED ON EVERY DRAWING.**

 ELKHART BRASS Fire Fighting Equipment	
THIS DRAWING CONTAINS INFORMATION THAT IS PROPRIETARY TO ELKHART BRASS MFG CO., INC. AND MAY NOT BE USED TO PRODUCE ANY PARTS, ASSEMBLIES OR PRODUCTS DESCRIBED HEREIN WITHOUT EXPRESS WRITTEN PERMISSION	
7101 HD (00007101HD) DIMENSIONAL PAGE 6 OF 6	DIMENSIONAL KEY