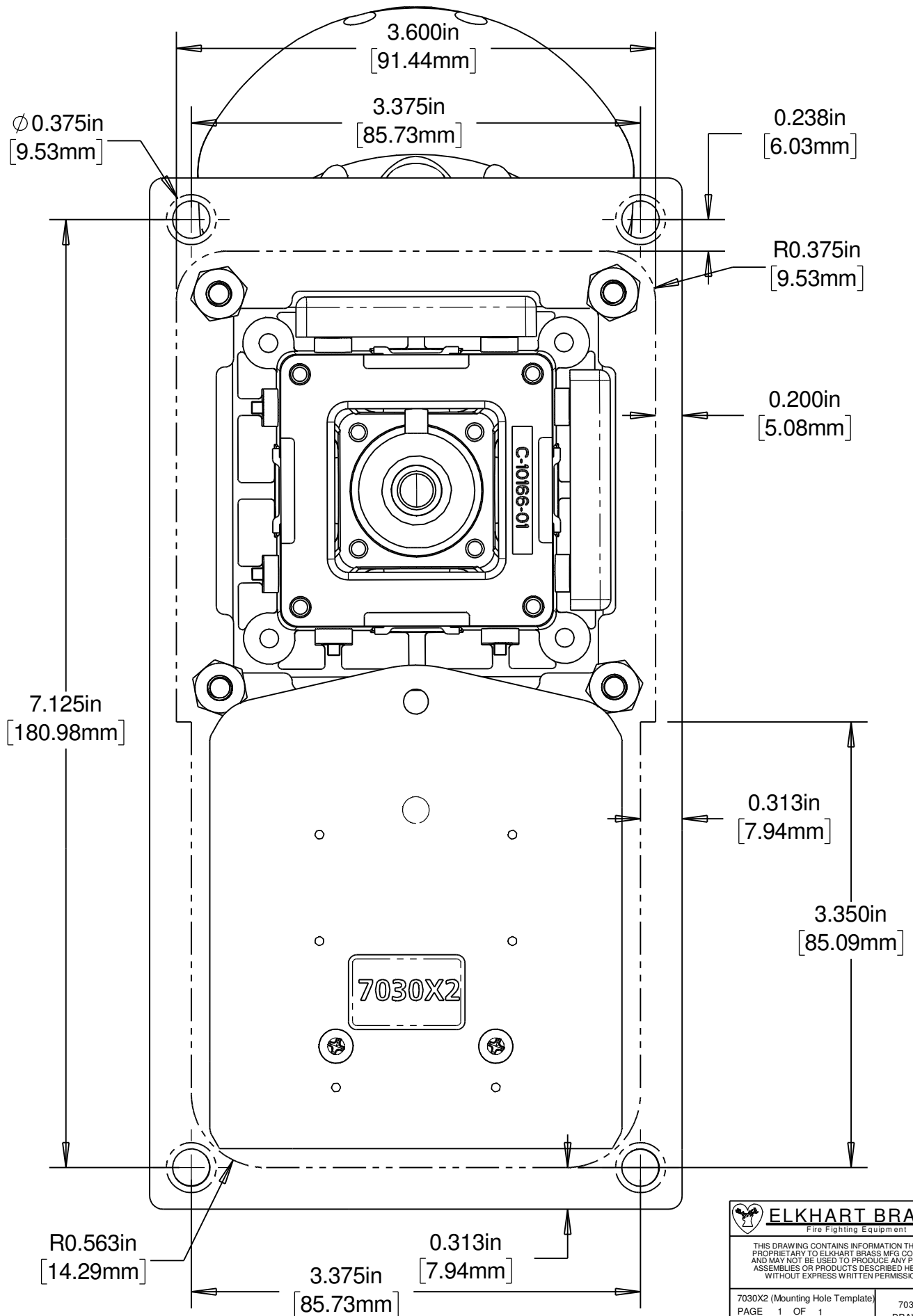



# JOYSTICK MOUNTING TEMPLATE



 <b>ELKHART BRASS</b> Fire Fighting Equipment	
<small>THIS DRAWING CONTAINS INFORMATION THAT IS PROPRIETARY TO ELKHART BRASS MFG CO., INC. AND MAY NOT BE USED TO PRODUCE ANY PARTS, ASSEMBLIES OR PRODUCTS DESCRIBED HEREIN WITHOUT EXPRESS WRITTEN PERMISSION</small>	
7030X2 (Mounting Hole Template) PAGE 1 OF 1 02/21/2019	7030X2 DRAWING Ver. 1.0