


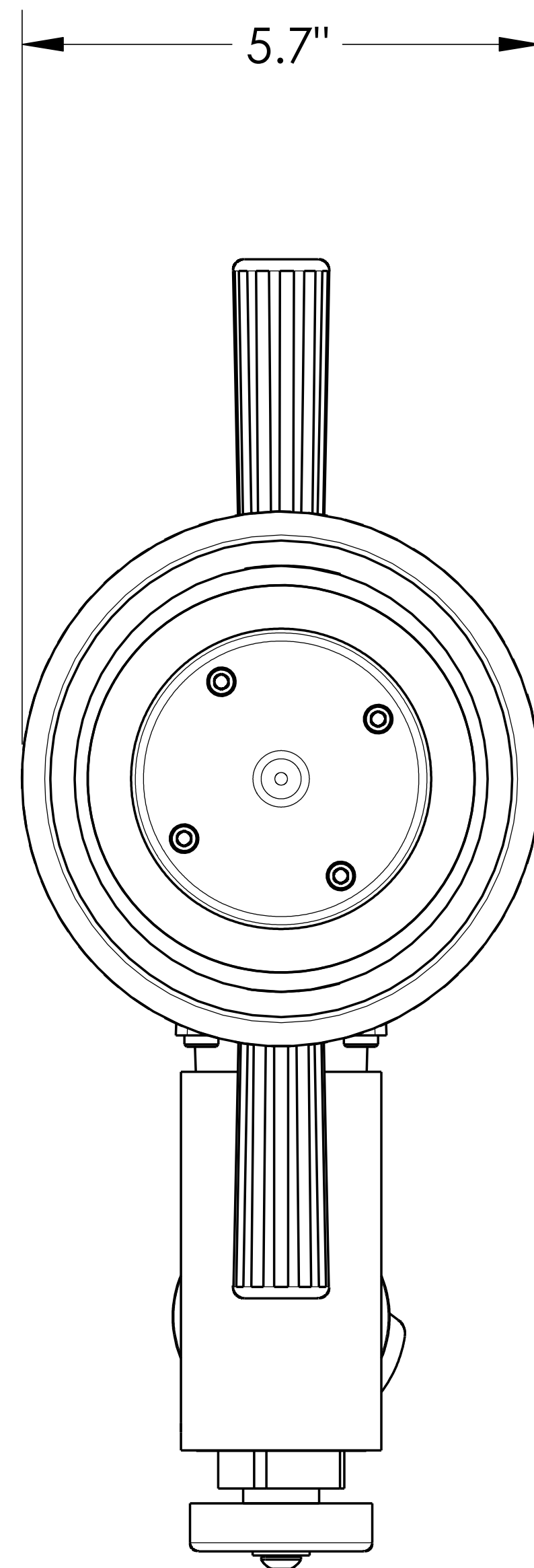
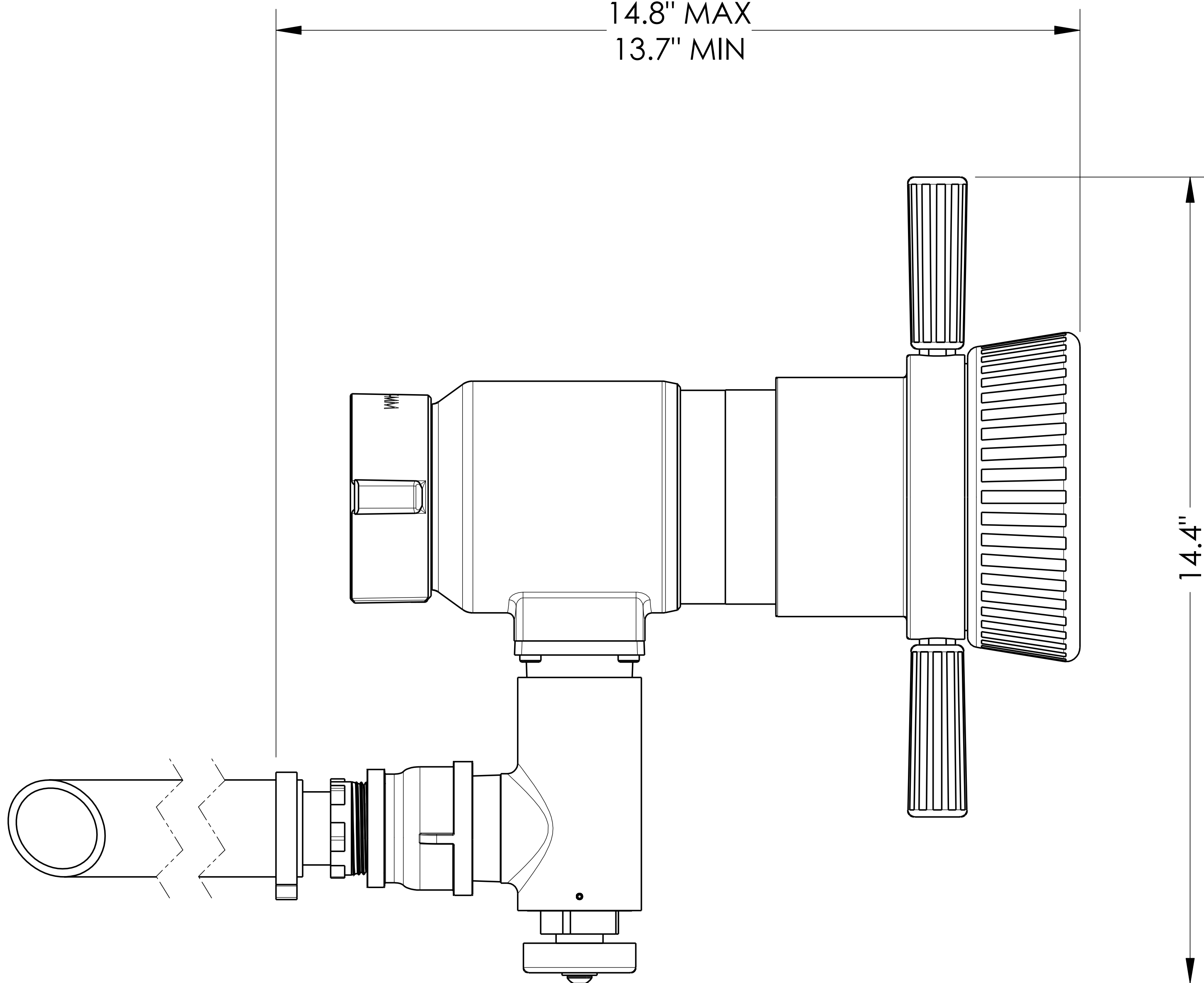
THIS DRAWING CONTAINS INFORMATION THAT IS PROPRIETARY TO ELKHART BRASS MFG CO., INC. AND MAY NOT BE USED TO PRODUCE ANY PARTS, ASSEMBLIES OR PRODUCTS DESCRIBED HEREIN WITHOUT EXPRESS WRITTEN PERMISSION

29	81765071	METERING VALVE-1000 GPM	1
28	36024001	HANDLE-MANUAL CSW-LB	2
27	57414000	O RING AS-568-152 3.237 X.103	1
26	33626000	GRIP - HAND (BLACK)	2
25	57337000	O RING AS-568-025 1.176 X.070	3
24	57482000	O RING AS-568-029 1.489 X.070	1
23	57316000	O RING AS-568-242 3.984 X.139	1
22	33268000	GASKET RUBBER 4.218 X3.671 X.125	1
21	23563000	CLAMP - HOSE (1.750)	1
20	36621001	HOSE 1.25-ID 9-FT	1
19	32157000	BARBED HOSE FITTING 1.25MNPT X 1.25 HOSE ID	1
18	47046200	306 1.5 FNPT X 1.25 FNPT	1
17	61041000	SCREW 250-20X0.625 SOC CAP SS	4
16	15018000	0.187 STAINLESS STEEL BALL	52
15	10501001	INLET ADAPTER (FOAM)	1
14	65202000	SCREW-SET (SLOTTED) S/S 3/8-24 X 0.187-LG	1
13	33083000	GASKET R 3.187 X 2.562 X .187TH	1
12	62919002	SWIVEL 2.5 2R/L O/BG	1
11	39157001	INLET INSERT	1
10	63789000	SCREW 10-24X0.625 SOC CAP SS	4
9	63591001	SPACER	4
8	52822501	PLATE TOP (2.5" CSW-LB F)	1
7	65513001	STEM HEAD (CSW-LB F3.5)	1
6	33632000	BUMPER RUBBER	1
5	67246001	STEM HEAD TUBE-1000 GPM	1
4	61591001	STREAM SHAPER HF NOZZLE	1
3	66770001	TIP - NOZZLE (2.5" NOZZLE)	1
2	18136001	BARREL - CENTER (2.5" NOZZLE)	1
1	32255001	2.5 FOAM MODULE (BRASS)	1
ITEM NO.	PART NUMBER	DESCRIPTION	Default/QTY.

 ELKHART BRASS Fire Fighting Equipment	THIS DRAWING CONTAINS INFORMATION THAT IS PROPRIETARY TO ELKHART BRASS MFG CO., INC. AND MAY NOT BE USED TO PRODUCE ANY PARTS, ASSEMBLIES OR PRODUCTS DESCRIBED HEREIN WITHOUT EXPRESS WRITTEN PERMISSION
	00088701 HF-13 PAGE 4 OF 5

HF13-750/1000

14.8" MAX
13.7" MIN



 **ELKHART BRASS**
Fire Fighting Equipment

THIS DRAWING CONTAINS INFORMATION THAT IS PROPRIETARY TO ELKHART BRASS MFG CO., INC. AND MAY NOT BE USED TO PRODUCE ANY PARTS, ASSEMBLIES OR PRODUCTS DESCRIBED HEREIN WITHOUT EXPRESS WRITTEN PERMISSION

00088701 HF-13
PAGE 5 OF 5

WEBSITE
DRAWING

Ver. 1.0